



Fire Alarm Pull Station

Break Glass Type

270 Series

FEATURES

- > Die cast metal construction
- > Terminal strip wiring
- > Break glass type
- > Single action

AGENCY APPROVALS

- > UL Listed
- > CSFM Listed - 270-SPO

The 270 Series fire alarm pull station is for fire alarm installations in schools, hospitals, factories, and industrial locations.

Available in both open and closed circuit designs and has a tamper proof reset function. The station's die cast body is painted red, with painted silver stripes. For replacement glass rods, order Catalog No. 270-GLR (pkg. of 20).

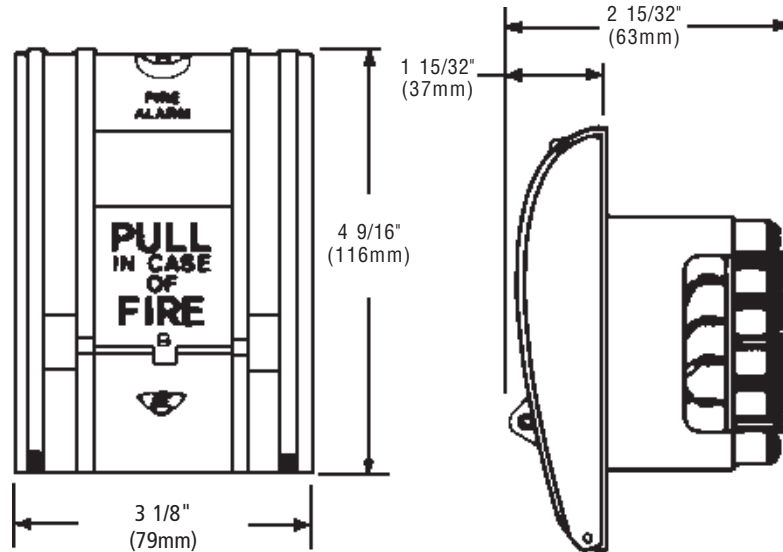
The 270 Series mounts on a 4" (102mm) square box with single gang plaster cover. It may be surface mounted using the P-027193 cast back box or the P-039250 steel back box. For weatherproof mounting, order the Catalog No. STI-3150.

ACCESSORIES

Cat. No.	Description
P-027193	Cast back box
P-039250	Steel back box
270-GLR	Pack of 20 glass rods
STI-3150	Protective pull station enclosure



TECHNICAL INFORMATION



Cat. No.	Description	Amps	Contact Rating		Total Depth
			Volts		
270-SPO	Single Pole Normally Open	3.0	30V AC 60V DC		2 15/32" (63mm)
270-DPO	Double Pole Normally open	3.0	30V AC 60V AC		2 15/32" (63mm)
270-DOC	Double Pole Normally open/Normally closed	3.0	30V AC 60V AC		2 15/32" (63mm)