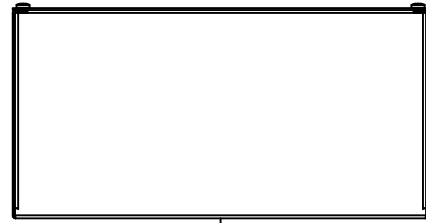
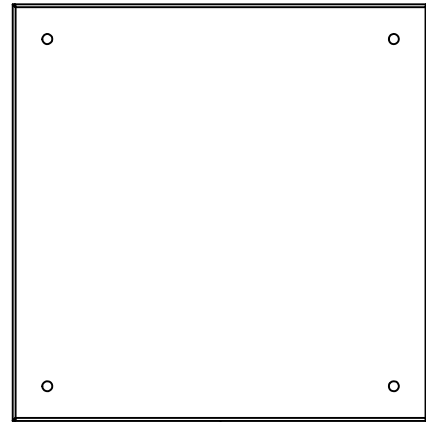


This drawing is confidential and must not be reproduced or used without the consent of EXM

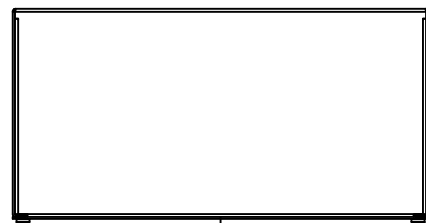
Ce dessin est confidentiel et ne doit pas être reproduit ou utilisé sans le consentement de EXM



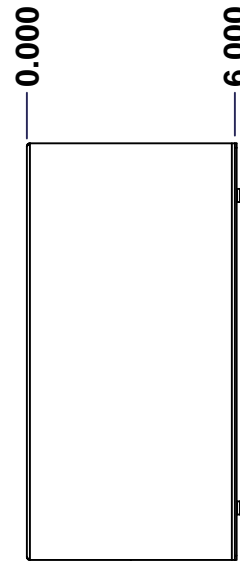
TOP



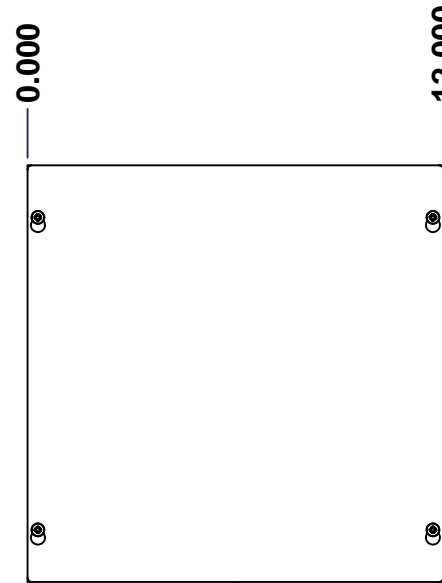
BACK



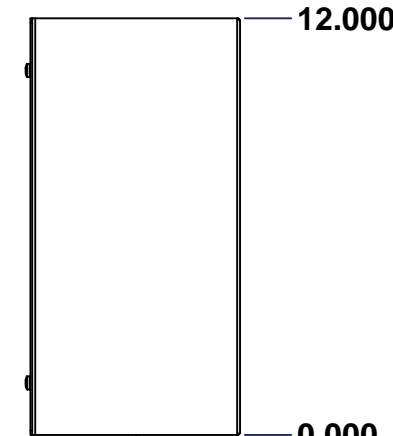
BOTTOM



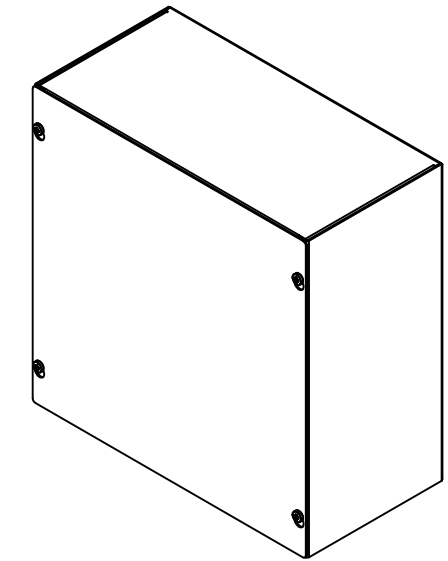
LEFT



FRONT




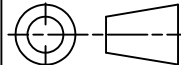
RIGHT



Isometric View



| No. | Revisions | Date | By/Par |
|-----|-----------|------|--------|
| | | | |
| | | | |
| | | | |
| | | | |
| | | | |

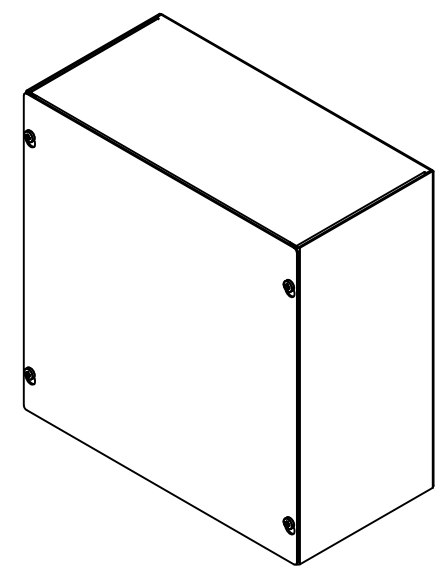
| | | |
|--|---------------|---|
|  Tél: (450) 979-4373 Fax: (450) 979-4626 www.exmweb.com | | Flatness Aplatissement Max 3.0mm Projection  |
| Customer Client | Date | |
| Drawn By Dessiné Par | BoxCad: Annie | Date 21/10/2013 |
| Material Matière 16 Ga H.R.P. & O. (1.4mm) | | |
| Color Couleur | Asa-61 Grey | Finish Fini Smooth |
| Description 1100DFN 12" x 12" x 6" Enclosure Assembly | | Detail Rev. |
| Part Number Numéro Pièce | | Rev. |
| SEE BILL OF MATERIAL ON LAST PAGE 1100DF121206N | | 0 / 1 2 |

This drawing is confidential and must not be reproduced or used without the consent of EXM

Ce dessin est confidentiel et ne doit pas être reproduit ou utilisé sans le consentement de EXM


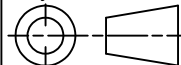
| NOTE | |
|------|--|
| ITEM | DESCRIPTION |
| 1 | NEMA 1 Enclosure |
| 2 | C/W Standard ground provision on box and cover |
| 3 | W/O Standard door stiffener |
| 4 | W/O Inner panel |
| 5 | W/O Inner panel mounting provision |

| No. | Revisions | Date | By/Par |
|-----|-----------|------|--------|
| | | | |
| | | | |
| | | | |
| | | | |
| | | | |
| | | | |



Isometric View

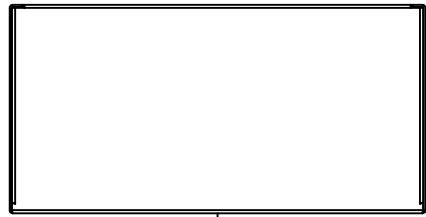


| | | |
|--|---------------------------|---|
|  Tél: (450) 979-4373 Fax: (450) 979-4626 www.exmweb.com | | Flatness Aplatissement Max 3.0mm Projection  |
| Customer Client | Date | |
| Drawn By Dessiné Par | BoxCad: Annie | Date 21/10/2013 |
| Material Matière | 16 Ga H.R.P. & O. (1.4mm) | |
| Color Couleur | Asa-61 Grey | Finish Fini Smooth |
| Description 1100DFN 12" x 12" x 6" Enclosure Assembly | | Detail Rev. |
| Part Number Numéro Pièce | 1100DF121206N | Rev. 0 |

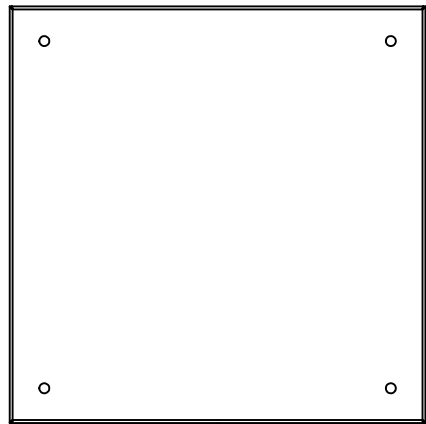
| Qty | Part Number | Rev | Description |
|------------|----------------|-----|-------------------------------|
| 4 | STK-Q-05020 | 5 | M5 x 8mm Thread Rolling Screw |
| 1 | 1100DF121206NC | 0 | 1100DFN 12" x 12" Cover |
| 1 | 1100DF121206NB | 0 | 1100DFN 12" x 12" x 6" Body |
| Parts List | | | |

This drawing is confidential and must not be reproduced or used without the consent of EXM

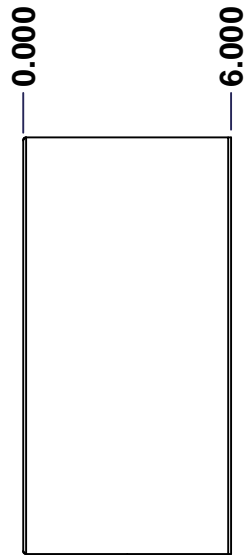
Ce dessin est confidentiel et ne doit pas être reproduit ou utilisé sans le consentement de EXM



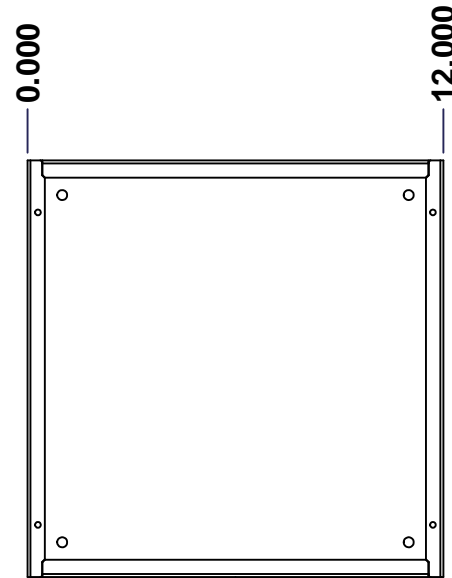
TOP



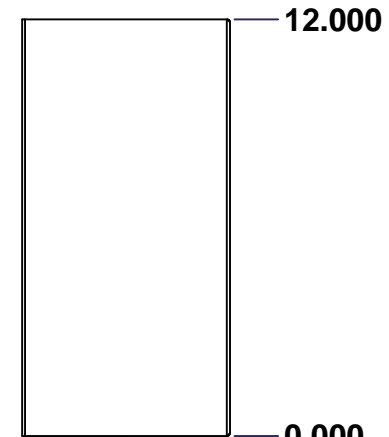
BACK



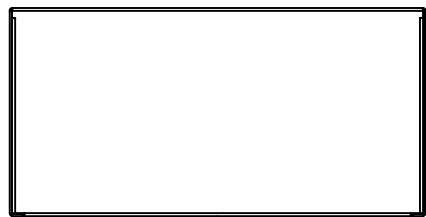
LEFT



FRONT

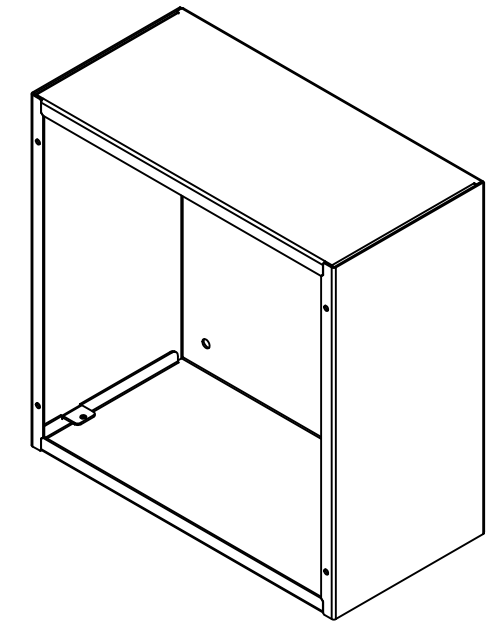


RIGHT



BOTTOM

| No. | Revisions | Date | By/Par |
|-----|-----------|------|--------|
| | | | |
| | | | |
| | | | |
| | | | |
| | | | |



Isometric View



Tél: (450) 979-4373
 Fax: (450) 979-4626
www.exmweb.com

Flatness
Aplatissement
Max 3.0mm
Projection

| | |
|---|---------------------|
| Customer Client | Date |
| Drawn By / Dessiné Par: BoxCad: Annie | Date: 21/10/2013 |
| Material Matière: 16 Ga H.R.P. & O. (1.4mm) | |
| Color Couleur: Asa-61 Grey | Finish Fini: Smooth |
| Description: 1100DFN 12" x 12" x 6" Body | Detail Rev. |
| Part Number / Numéro Pièce: 1100DF121206NB | Rev. 0 |

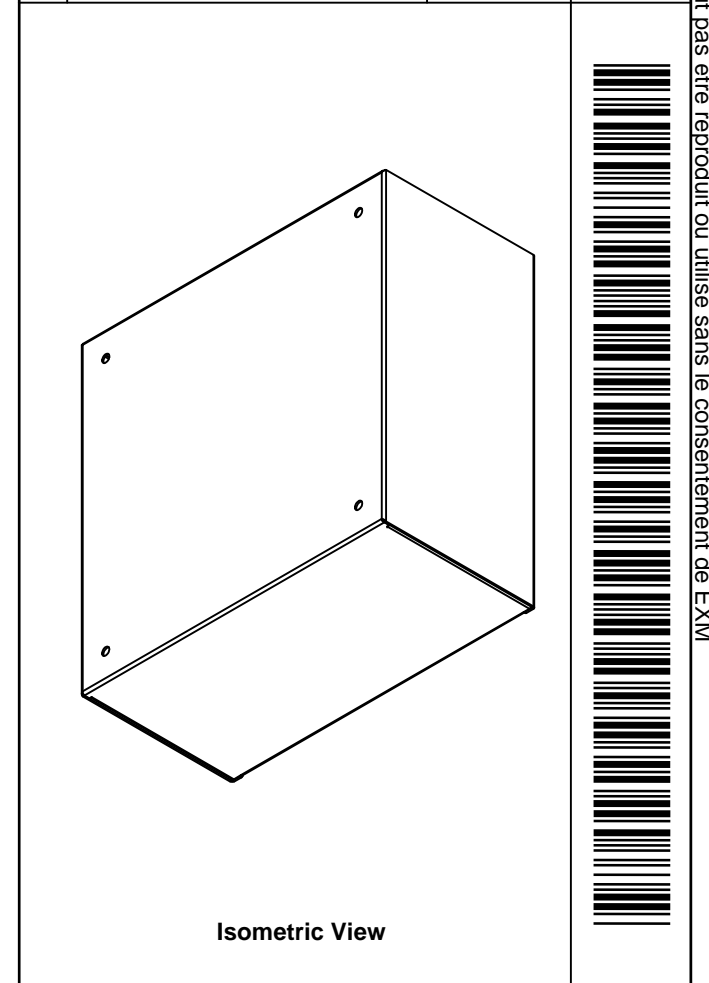
SEE BILL OF MATERIAL ON LAST PAGE


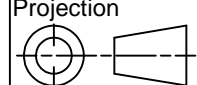
1
7

This drawing is confidential and must not be reproduced or used without the consent of EXM

Ce dessin est confidentiel et ne doit pas être reproduit ou utilisé sans le consentement de EXM

| No. | Revisions | Date | By/Par |
|-----|-----------|------|--------|
| | | | |
| | | | |
| | | | |
| | | | |
| | | | |



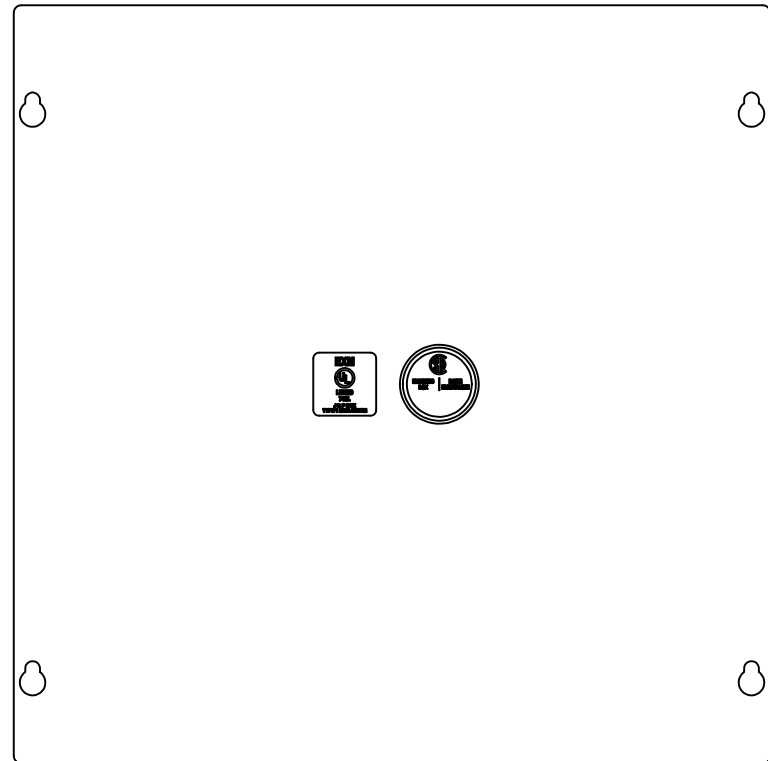
| | | |
|--|---------------------------|---|
|  Tél: (450) 979-4373 Fax: (450) 979-4626 www.exmweb.com | | Flatness Aplatissement Max 3.0mm Projection  |
| Customer Client | Date | |
| Drawn By Dessiné Par | BoxCad: Annie | Date 21/10/2013 |
| Material Matière | 16 Ga H.R.P. & O. (1.4mm) | |
| Color Couleur | Asa-61 Grey | Finish Fini Smooth |
| Description | Detail Rev. | |
| 1100DFN 12" x 12" x 6" Body | | |
| Part Number Numéro Pièce | Rev. 0 | 7 / 7 |
| 1100DF121206NB | | |

| Qty | Part Number | Rev | Description |
|------------|------------------|-----|-------------------------------------|
| 1 | STK-P-02400S | 0 | Powder Paint (Asa-61 Grey / Smooth) |
| 1 | 1100DF121206NB-P | 0 | 1100DFN 12" x 12" x 6" Body Part |
| Parts List | | | |

This drawing is confidential and must not be reproduced or used without the consent of EXM

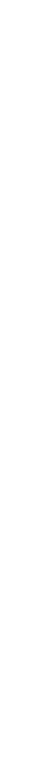
Ce dessin est confidentiel et ne doit pas être reproduit ou utilisé sans le consentement de EXM

TOP

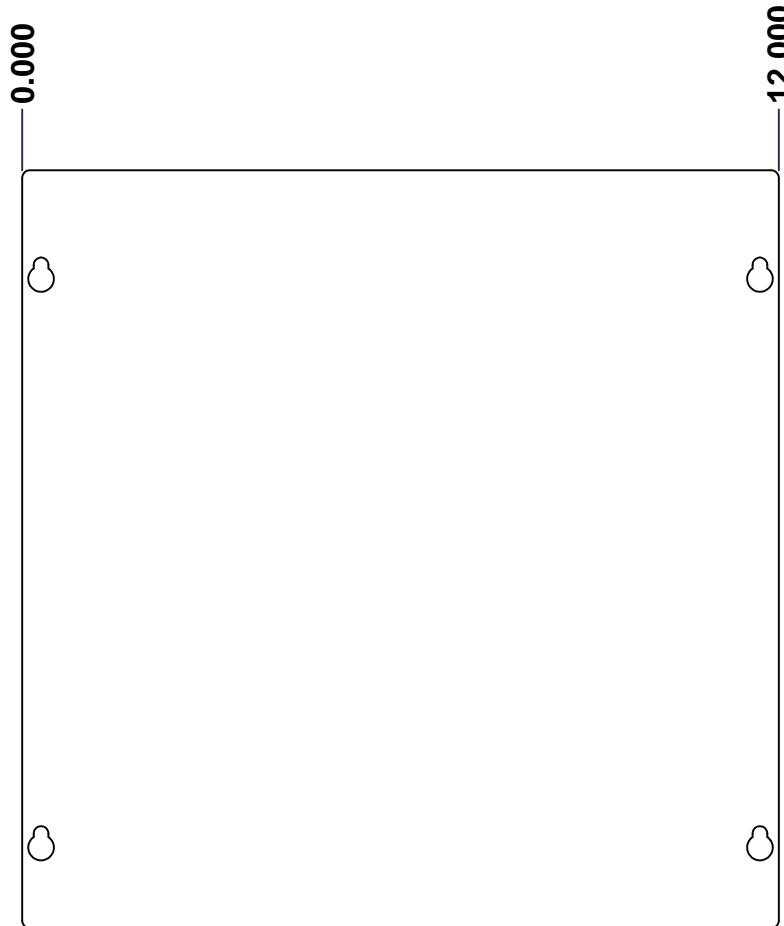


BACK

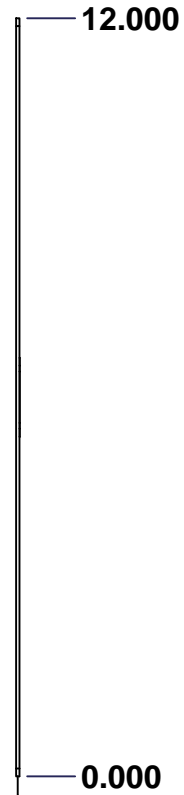
BOTTOM



LEFT

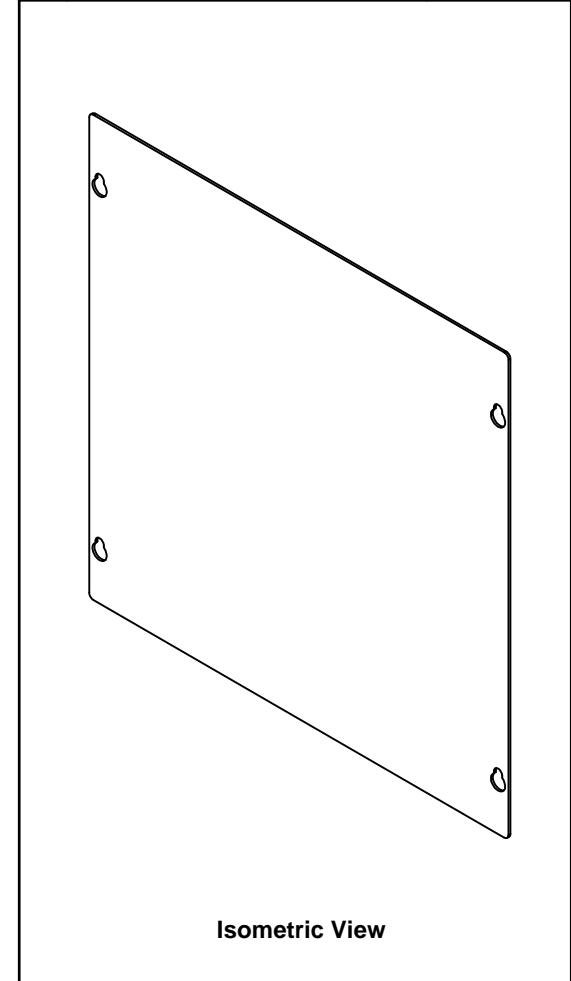


FRONT




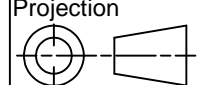
RIGHT

| No. | Revisions | Date | By/Par |
|-----|-----------|------|--------|
| | | | |
| | | | |
| | | | |
| | | | |



Isometric View



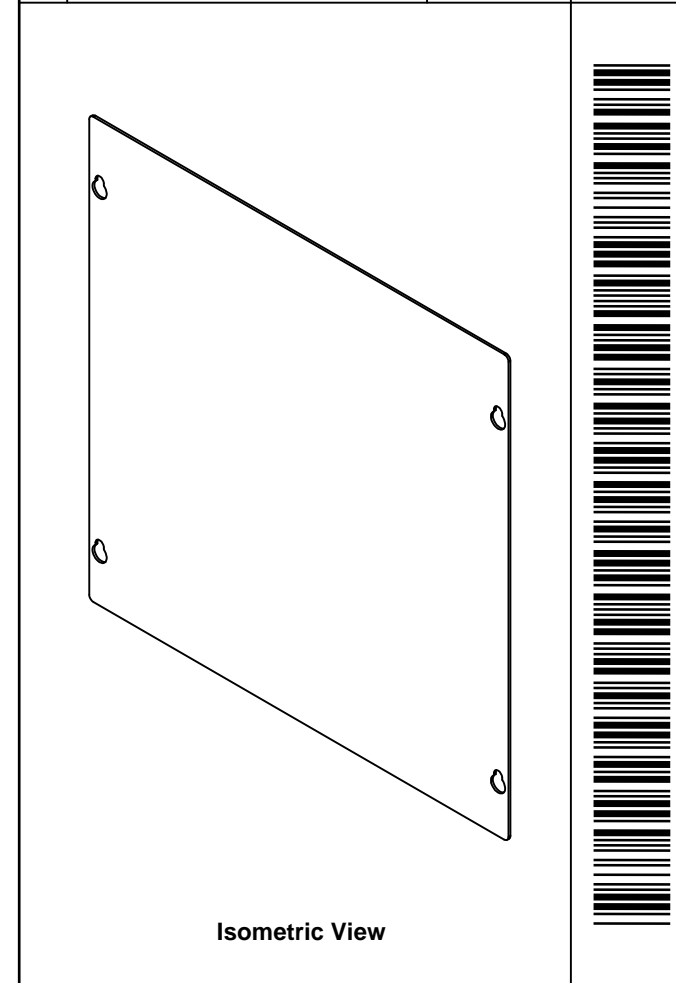
| | | |
|--|---------------------------|---|
|  Tél: (450) 979-4373 Fax: (450) 979-4626 www.exmweb.com | | Flatness Aplatissement Max 3.0mm Projection  |
| Customer Client | Date | |
| Drawn By Dessiné Par | BoxCad: Annie | Date 21/10/2013 |
| Material Matière | 16 Ga H.R.P. & O. (1.4mm) | |
| Color Couleur | Asa-61 Grey | Finish Fini Smooth |
| Description | Detail Rev. | |
| 1100DFN 12" x 12" Cover | | |
| Part Number Numéro Pièce | Rev. 0 | 1 / 3 |
| 1100DF121206NC | | |


SEE BILL OF MATERIAL ON LAST PAGE

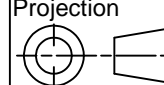
This drawing is confidential and must not be reproduced or used without the consent of EXM

Ce dessin est confidentiel et ne doit pas être reproduit ou utilisé sans le consentement de EXM

| No. | Revisions | Date | By/Par |
|-----|-----------|------|--------|
| | | | |
| | | | |
| | | | |
| | | | |
| | | | |




 Tél: (450) 979-4373
 Fax: (450) 979-4626
www.exmweb.com

Flatness
 Aplatissement
 Max 3.0mm
 Projection


| | |
|---------------------------------------|------------------|
| Customer Client | Date |
| Drawn By / Dessiné Par: BoxCad: Annie | Date: 21/10/2013 |

Material / Matière: 16 Ga H.R.P. & O. (1.4mm)

| | |
|------------------------------|-----------------------|
| Color / Couleur: Asa-61 Grey | Finish / Fini: Smooth |
|------------------------------|-----------------------|

| Qty | Part Number | Rev | Description |
|------------|------------------|-----|-------------------------------------|
| 1 | STK-S-00950 | 1 | UL 74SL Pull-Box Sticker |
| 1 | STK-S-00800 | 0 | CSA Electrical Box Sticker |
| 1 | STK-P-02400S | 0 | Powder Paint (Asa-61 Grey / Smooth) |
| 1 | 1100DF121206NC-P | 0 | 1100DFN 12" x 12" Cover Part |
| Parts List | | | |

| | |
|---|-------------|
| Description: 1100DFN 12" x 12" Cover | Detail Rev. |
| Part Number / Numéro Pièce: 1100DF121206NC | Rev. 0 |
| | 3 |