

Extra duty while-in-use weather protective cover

Project Name:	Prepared By:
Project Number:	Date:
Catalog Number:	Type:

Description

1-Gang Self-Closing
2-Gang Self-Closing

Design features

- Meets NEC® 2017 406.9 (B)(1) Extra Duty requirement for any application
- Rugged UV-resistant polycarbonate cover and back protects devices without cracking or breaking and is non-corrosive
- Self-closing cover
- 1-Gang box includes 3 inserts for 16 different configurations
- 2-Gang box includes 3 inserts for over 60 different configurations
- Box inserts accommodate decorator devices, duplex receptacles, and a variety of single receptacle sizes and toggle switches
- Cover cord opening fits #12 AWG or lighter cord
- Exceeds UL outdoor low voltage landscape lighting requirements
- Box cover includes pre-mounted gasket



WIU-1HX



WIU-1VX



WIU-2X

Table 1. Extra duty while-in-use weather protective cover

Catalog No.	Gang	Mounting Description	Color
<input type="checkbox"/> WIU-1HX	1	Horizontal	Gray
<input type="checkbox"/> WIU-1WHX	1	Horizontal	White
<input type="checkbox"/> WIU-1VX	1	Vertical	Gray
<input type="checkbox"/> WIU-1WVX	1	Vertical	White
<input type="checkbox"/> WIU-2X	2	Horizontal/Vertical	Gray
<input type="checkbox"/> WIU-2WX	2	Horizontal/Vertical	White

Compliant with: cULus Listed to UL5140, file no. E33216, meets NEMA 3R requirements

Compliances, specifications and availability are subject to change without notice.



Powering Business Worldwide

Project Name:	Prepared By:
Project Number:	Date:
Catalog Number:	Type:

Applications

The 2017 NEC® requires that all receptacle covers installed in wet locations be both extra-duty and weatherproof whether or not the plug is inserted. The extra-duty requirement helps ensure the covers will not be easily broken under heavy abuse. Eaton's Wiring Devices' extra duty while-in-use weather protective covers are compliant with the 2017 NEC® for any application. This line of cover exceeds UL outdoor low voltage landscape lighting requirements, is UV-resistant and includes inserts to accommodate a variety of devices inside the box.

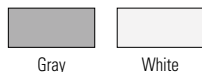
Table 2. Specifications

Catalog No.	Extra Duty While-In-Use Weather Protective Cover Series
Testing & Code Compliance	cULus Listed to UL514D, file no. E33216 meets NEMA 3R requirements
Environmental Specifications	Flammability: Meets UL94 requirements; V2 rated Temperature Rating: 20°C to 70°C (-4°F to 158°F)

Table 3. Materials

Catalog No.	Extra Duty While-In-Use Weather Protective Cover Series
Clear Cover	Polycarbonate
Back body	Polycarbonate
Cover plates	Polycarbonate
Gasket	EVA
Hinge Pin	Stainless Steel

Table 4. Color Ordering Information



Product Dimensions

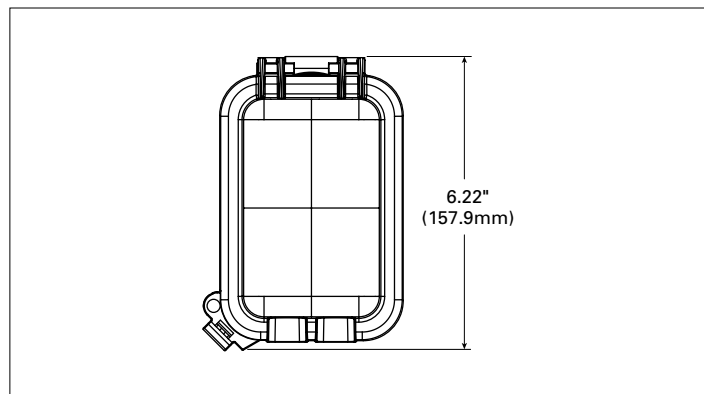


Figure 1. WIU-1X Vertical 1-Gang

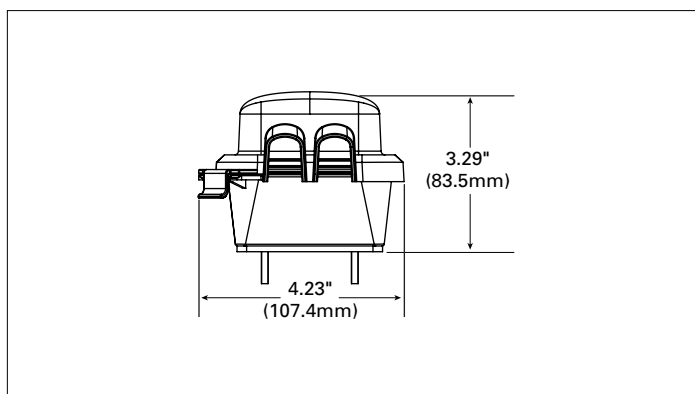


Figure 2. WIU-1X Vertical 1-Gang

Project Name:	Prepared By:
Project Number:	Date:
Catalog Number:	Type:

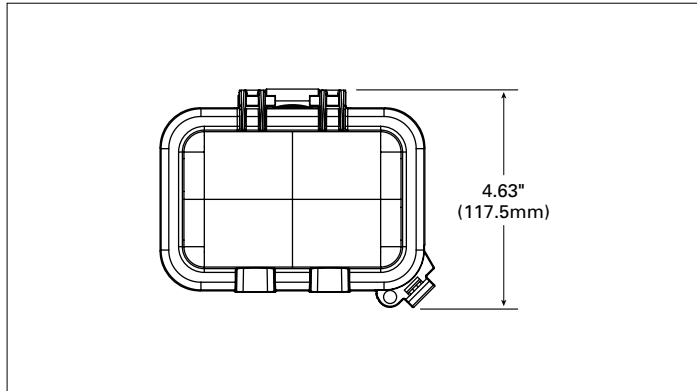


Figure 3. WIU-1HX Horizontal 1-Gang

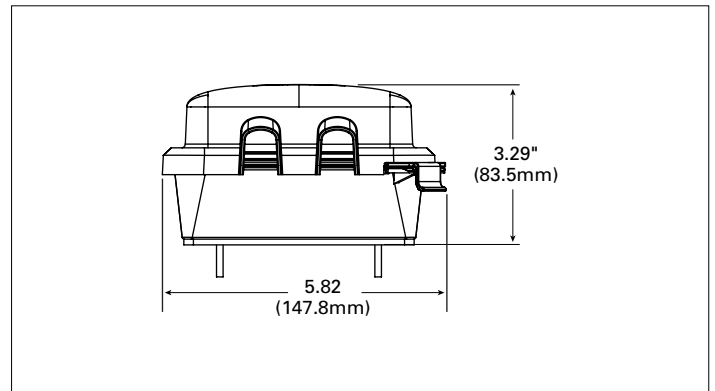


Figure 4. WIU-1HX Horizontal 1-Gang

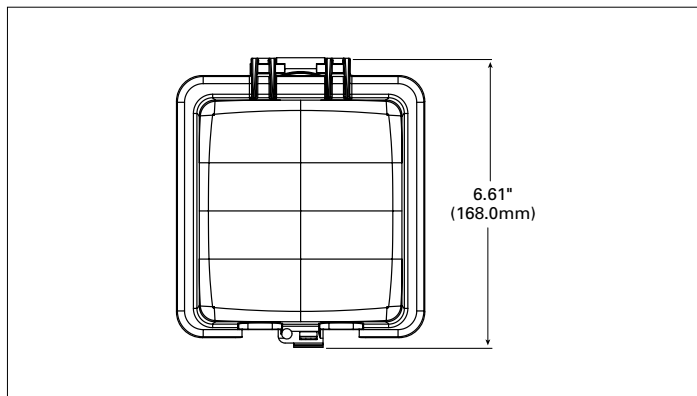


Figure 5. WIU-2X Horizontal/Vertical 2-Gang

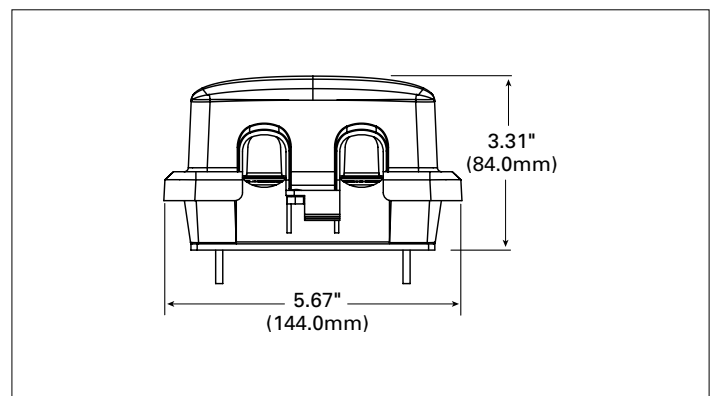


Figure 6. WIU-2X Horizontal/Vertical 2-Gang

Certifications & Compliances

Catalog No.	cULus	RoHS
WIU-1HX	•	•
WIU-1WHX	•	•
WIU-1VX	•	•
WIU-1WVX	•	•
WIU-2X	•	•
WIU-2WX	•	•

KEY: cULus cULus RoHS

Compliances, specifications and availability are subject to change without notice.

Electrical Sector
203 Cooper Circle
Peachtree City, GA 30269
United States
Eaton.com
Eaton.com/wiringdevices

Electrical Sector
Canada Operations
5925 McLaughlin Road
Mississauga, Ontario, L5R 1B8
Canada
EatonCanada.ca
Eaton.com/wiringdevices

Electrical Sector
Mexico Operations
Carr. Tlalnepantla -
Cauatitlán Km 178 s/n
Col. Villa Jardín esq.
Cerrada 8 de Mayo
Cauatitlán, México CP 54800
México
Eaton.mx
Eaton.com/wiringdevices