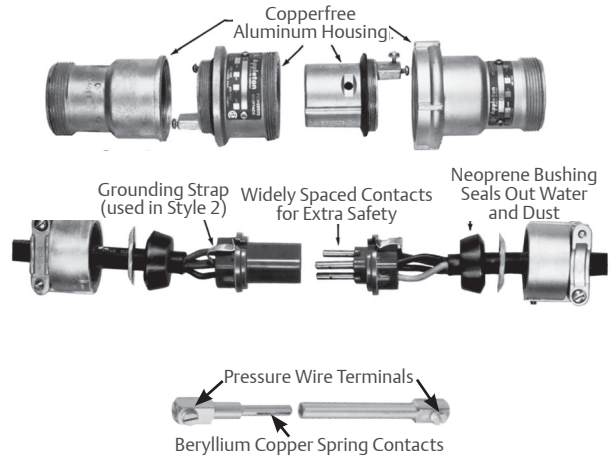
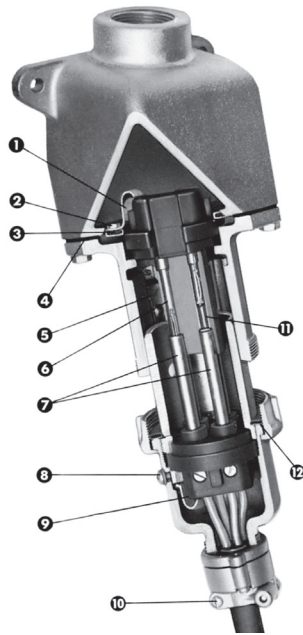


1. Grounding strap in Style 2 receptacle from extra pole to receptacle housing.
2. Screw locks receptacle housing and interior into an assembly and permits easy field conversion to reverse service for 30, 60, 100, 150, and 200 Amp.
3. Receptacle interior retaining washers.
4. Raintight mounting box gasket.
5. Grounding detent springs in Style 1 and Style 2.
6. Longer ground terminal in Style 2 receptacle "makes first, breaks last."
7. Floating-type plug terminal self-aligns to receptacle contacts.
8. Screw locks plug housing and interior into an assembly; also permits easy field conversion to reverse service (30, 60, 100, and 150 Amp).
9. Grounding strap in Style 2 plug from extra pole to plug housing.
10. Cable grip assembly.
11. Arc snuffing chamber.
12. Plug with clamping ring has neoprene gasket. Ring threads onto screw cap receptacle to provide NEMA 4X assembly when properly tightened.



HORSEPOWER RATINGS FOR EMERGENCY DISCONNECT UNDER LOAD

- Plug may be withdrawn in an emergency if within these maximum HP ratings. Not for normal starting and stopping.

Phase Motor	Wire/Pole	Motor Horsepower			
		120 Vac	240 Vac	480 Vac	600 Vac
1-Phase	2W, 2P or 2W, 3P	2HP	3HP	10HP	10HP
3-Phase	3W, 3P; 3W, 4P; or 4W, 4P	3HP	7-1/2HP	15HP	20HP

SELECTION CHART

Grounding Style	Wire/Pole	Hub Size (Inches)	Receptacle with AEE Mounting Box ①	Receptacle Only ③	Metallic Clamping Ring Plug ②④	Connector Body Only	Cable Diameter (Inches)
Style 1 (Shell Only)	2W, 2P	1/2	ADRE3022-50	ADR3022	ACP3022BC	ARC3022BC	0.500 to 1.250
		3/4	ADRE3022-75				
	3W, 3P	3/4	ADRE3033-75	ADR3033	ACP3033BC	ARC3033BC	
		1	ADRE3033-100				
Style 2 (Shell and Extra Pole)	2W, 3P	3/4	ADRE3023-75	ADR3023	ACP3023BC	ARC3023BC	
		1	ADRE3023-100				
	3W, 4P	3/4	ADRE3034-75	ADR3034	ACP3034BC	ARC3034BC	
		1	ADRE3034-100				

Receptacles are provided with spring door and screw cover.

For Reverse Service, add suffix **-RS** to Catalog Number.

For Special Polarization, add suffix **-P4** to Catalog Number.

① For additional mounting boxes, see Aluminum Mounting Boxes in Appleton Master Catalog.

② Plug and receptacle combination is NEMA 4X rated when clamping ring is fully tightened on receptacle.

③ Receptacle is NEMA 4X rated when screw cover is fully engaged when the receptacle is not in use.

④ Plug and connector body combination is NEMA 4X rated when clamping ring is fully tightened on connector body.