



Industrial Specification Grade Hart-Lock® Locking Devices

2 Pole, 2 Wire Non-Grounding
NEMA L2-20, 20A 250V

INDUSTRIAL
COMMERCIAL
RESIDENTIAL

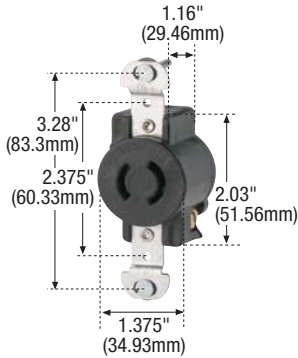
E-3 LOCKING DEVICES

TESTING & CODE COMPLIANCE

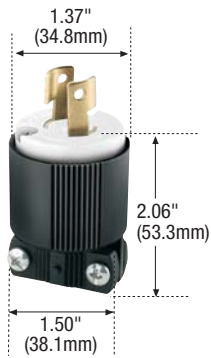
Listed to UL 498,
Plugs, Connectors:
(file no. E3663).
Receptacles &
Flanged Outlets:
(file no. E2369).

MATERIAL CHARACTERISTICS

Receptacles
& Outlets:
Glass filled Nylon.
Plugs & Connectors:
Nylon.
Environmental:
Flammability
per UL 94
requirements,
CWL220R &
CWL220FO V0 rated.
Temperature Rating:
Receptacles
& Outlets:
-40°C to 105°C,
Plugs & Connectors:
-40°C to 75°C.



CWL220R



CWL220P



CWL220C



CWL220FO

20A 250V – 2 Pole, 2 Wire Industrial Specification Grade Locking Receptacles

FEATURES

- Rugged glass filled nylon construction.
- Industrial Grade receptacles provide side and back wire terminations

20 Amp Locking Receptacle

Rating							
A	V/AC	NEMA	Description	Color	Catalog No.		
20	250	L2-20	Industrial Grade Single	Black	CWL220R		

20A 250V Safety Grip® Industrial Specification Grade Plugs, Connectors and Flanged Outlets

FEATURES

- Nylon construction.
- Back wire Dead-Front design.
- Neoprene gasket seals cord hole from dust and debris.
- Dual range cord grip provides solid cord clamp.
- Back wire terminal clamps for easy secure wiring.
- Individual wiring compartments with tapered channel for easy insertion of wires.
- Clear cover over wiring compartments allow easy inspection of wiring terminations.
- Combination head screws standard - slot/Phillips in the U.S.
- Add -C to catalog number for Canadian screws - slot/Robertson head combination.

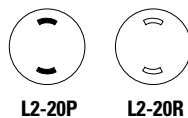
Safety Grip™ Locking Plugs and Connectors

Rating						Catalog No.	
A	V/AC	NEMA	Description	Cord Diameter	Color	Plug	Connector
20	250	L2-20	Straight	0.250"-0.656" (6.4mm-16.7mm)	Black & White	CWL220P	—
			Straight, Polarized	0.250"-0.656" (6.4mm-16.7mm)	Black & White	CWL220P-6	CWL220C

Industrial Grade 20 Amp Flanged Outlet

Rating							
A	V/AC	NEMA	Description	Color	Catalog No.		
20	250	L2-20	Flanged outlet, polarized	Black	CWL220FO		

NOTE: Weather Protective Covers and Boots from Cooper Wiring Devices that may be used with these products are described on pages E-71 – E-72 in this section.



Industrial Specification Grade Hart-Lock® Locking Devices

2 Pole, 3 Wire Grounding
3 Pole, 3 Wire Non-Grounding
NEMA L5-15, 15A 125V
NEMA L6-15, 15A 250V
NEMA L7-15, 15A 277V
Non-NEMA 15/10A 125/250V



INDUSTRIAL
COMMERCIAL

E-4
LOCKING
DEVICES

15A 3 Wire Industrial Specification Grade Receptacles

FEATURES

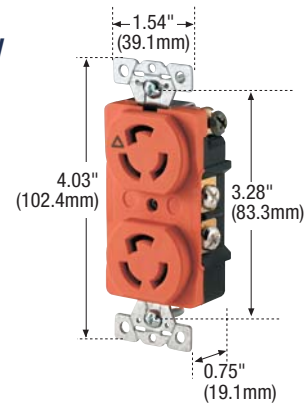
- Fiberglass reinforced nylon body and face.
- Clearly marked rating, NEMA configuration and approval listings on receptacle face.
- One piece brass contacts offer superior performance and minimum heat rise.
- Back wire terminal clamps for easy secure wiring.
- Combination head screws standard – slot/Phillips in the U.S.
- Add -C to catalog number for Canadian screws – slot/Robertson head combination.
- Break off tab for split circuit wiring.
- Safety ground clip provided for fast installation.

Industrial Specification Grade Duplex Receptacles

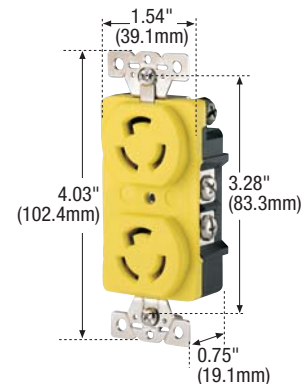
Rating A	V/AC	NEMA	Configuration	Description	Color	Catalog No.
15	125	L5-15	2 Pole, 3 Wire	Standard	Brown	4700
				Isolated ground	Orange	IG4700
				Corrosion Resistant	Yellow	CR4700
				Combination, one locking/ one straight blade	Brown	5792
				Combination, Isolated Ground	Orange	IG5792*
15	250	L6-15	2 Pole, 3 Wire	Standard	Brown	6580
				Isolated Ground	Orange	IG6580*
				With 4" (101.6mm) round metal cover	Brown	6581
15	277	L7-15	2 Pole, 3 Wire	Standard	Brown	4750
				Isolated Ground	Orange	IG4750
15/10	125/250	Non-NEMA	3 Pole, 3 Wire	Standard	Brown	7580*

*Not CSA certified.

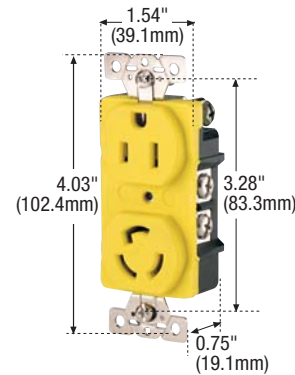
NOTE: Weather Protective Covers from Cooper Wiring Devices that may be used with these products are described on page E-71 in this section.



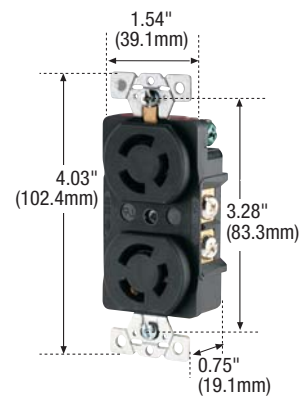
IG4700



CR4700



CR5792



7580



RECEPTACLE NON-NEMA 15A 125V 10A 250V
L5-15R L6-15R L7-15R

TESTING & CODE COMPLIANCE

- Listed to UL 498 (file no. E2369.)
- CSA Certified to C22.2 no. 42 (file no. LR7087) except as noted.

MATERIAL CHARACTERISTICS

Glass filled Nylon.
Temperature Rating:
-40°C to 115°C.



INDUSTRIAL
COMMERCIAL

E-5
LOCKING
DEVICES



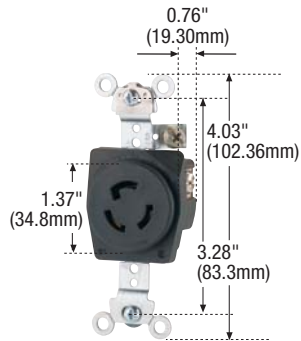
Industrial Specification Grade Hart-Lock® Locking Devices

2 Pole, 3 Wire Grounding
3 Pole, 3 Wire Non-Grounding
NEMA L5-15, 15A 125V
NEMA L6-15, 15A 250V
NEMA L7-15, 15A 277V
Non-NEMA 15/10A 125/250V

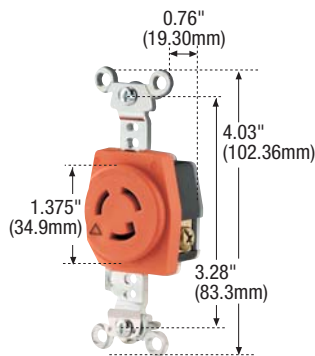
15A 3 Wire Industrial Specification Grade Receptacles

FEATURES

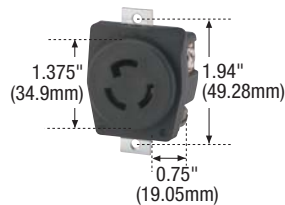
- Fiberglass reinforced nylon body and face.
- Clearly marked rating, NEMA configuration and approval listings on receptacle face.
- One piece brass contacts offer superior performance and minimum heat rise.
- Back wire terminal clamps for easy secure wiring.
- Combination head screws standard – slot/Phillips in the U.S.
- Add -C to catalog number for Canadian screws – slot/Robertson head combination.
- Safety ground clip provided for fast installation.



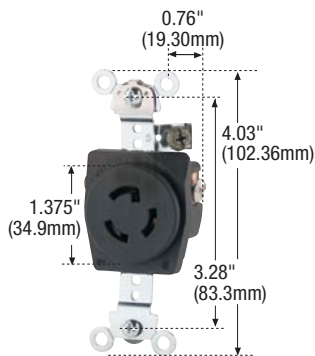
CWL515R



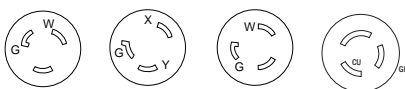
IGL515R



4712



CWL715R



L5-15R

L6-15R

L7-15R

**RECEPTACLE
NON-NEMA
15A 125V
10A 250V**

Industrial Specification Grade Single Receptacles

Rating	A	V/AC	NEMA	Configuration	Description	Color	Catalog No.
15	125	L5-15	2 Pole, 3 Wire	Standard	Brown	CWL515R	
				Isolated ground	Orange	IGL515R	
				Short Strap 1.94" (49.2mm) screw spacing	Brown	4712*	
15	250	L6-15	2 Pole, 3 Wire	Standard	Brown	CWL615R	
				Isolated Ground	Orange	IGL615R*	
				Short Strap 1.94" (49.2mm) screw spacing	Brown	6562	
15	277	L7-15	2 Pole, 3 Wire	Standard	Brown	CWL715R	
				Isolated Ground	Orange	IGL715R*	
				With 4" (101.6mm) round metal cover	Brown	4761	
				Short Strap 1.94" (49.2mm) screw spacing	Brown	4762	
15/10	125/250	Non-NEMA	3 Pole, 3 Wire	Standard	Brown	7582*	

*Not CSA certified

NOTE: Weather Protective Cover from Cooper Wiring Devices that may be used with these products are described on page E-71 in this section.

TESTING & CODE COMPLIANCE

Listed to UL 498,
(file no. E2369.)
· CSA Certified to
C22.2 no. 42
(file no. LR7087)
except as noted.

MATERIAL CHARACTERISTICS

Receptacles:
Glass filled Nylon.
Temperature Rating:
Receptacles:
-40°C to 115°C.

Industrial Specification Grade Hart-Lock® Locking Devices

2 Pole, 3 Wire Grounding
3 Pole, 3 Wire Non-Grounding
NEMA L5-15, 15A 125V
NEMA L6-15, 15A 250V
NEMA L7-15, 15A 277V
Non-NEMA 15/10A 125/250V



INDUSTRIAL
COMMERCIAL

E-6
LOCKING
DEVICES

TESTING & CODE COMPLIANCE

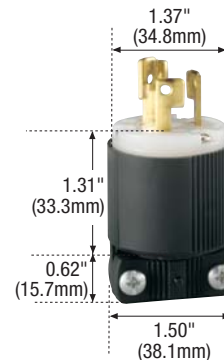
- Listed to UL 498, (file no. E3663).
- CSA Certified to C22.2 no. 42 (file no. LR7087) except as noted.

MATERIAL CHARACTERISTICS
Nylon.
Temperature Rating:
-40°C to 75°C.

15A 3 Wire Industrial Specification Grade Plugs and Connectors

FEATURES

- Nylon construction.
- Back wire Dead-Front design.
- Neoprene gasket seals cord hole from dust and debris.
- Dual range cord grip provides solid cord clamp.
- Back wire terminal clamps for easy secure wiring.
- Individual wiring compartments with tapered channel for easy insertion of wires.
- Clear cover over wiring compartments allow easy inspection of wiring terminations.
- Combination head screws standard - slot/Phillips in the U.S.
- Add "-C" to catalog number for Canadian screws - slot/Robertson head combination.



CWL515P



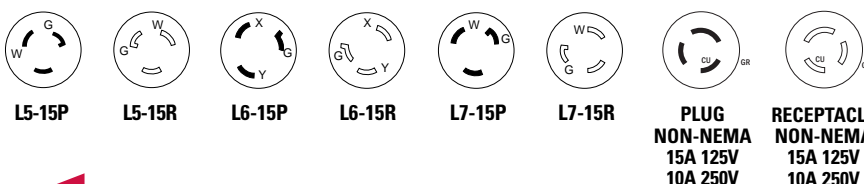
CWL515C

Safety Grip™ Industrial Specification Grade Locking Plugs and Connectors

Rating A	V/AC	NEMA	Config- uration	Description/ Cord Diameter	Color	Catalog No.	
						Plug	Connector
15	125	L5-15	2 Pole, 3 Wire	Straight: 0.250"-0.656" (6.4mm-16.7mm)	Black & White	CWL515P	CWL515C
				Straight: 0.250"-0.656" (6.4mm-16.7mm)	Black	4721BK	4731BK
				Angle: 0.300"-0.656" (7.62mm-16.7mm)	Black & White	CWL515PAN	CWL515CAN
15	250	L6-15	2 Pole, 3 Wire	Straight: 0.250"-0.656" (6.4mm-16.7mm)	Black & White	CWL615P	CWL615C
				Angle: 0.300"-0.656" (7.62mm-16.7mm)	Black & White	CWL615PAN	—
15	277	L7-15	2 Pole, 3 Wire	Straight: 0.250"-0.656" (6.4mm-16.7mm)	Black & White	CWL715P	CWL715C
				Angle: 0.300"-0.656" (7.62mm-16.7mm)	Black & White	CWL715PAN	—
15/ 10	125/ 250	Non- NEMA	3 Pole, 3 Wire	Straight: 0.250"-0.656" (6.4mm-16.7mm)	Black & White	4767*	4755*
				Angle: 0.300"-0.656" (7.62mm-16.7mm)	Black & White	4767AN*	—

*Not CSA certified

NOTE: Weather Protective Boots from Cooper Wiring Devices that may be used with these products are described on page E-72 in this section.





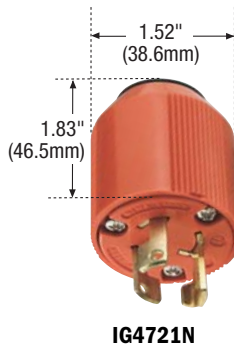
Industrial Specification Grade Hart-Lock® Locking Devices

2 Pole, 3 Wire Grounding
3 Pole, 3 Wire Non-Grounding
NEMA L5-15, 15A 125V
NEMA L6-15, 15A 250V
NEMA L7-15, 15A 277V
Non-NEMA, 10A 250V



INDUSTRIAL
COMMERCIAL

E-7
**LOCKING
DEVICES**



15A 125V AutoGrip™ Industrial Specification Grade Plugs and Connectors

FEATURES

- Nylon construction.
- Back wire Dead-Front design.
- Neoprene gasket seals cord hole from dust and debris.
- Automatic cord grip assembly saves wiring time.
- Back wire terminal clamps for easy secure wiring.
- Individual wiring compartments with tapered channel for easy insertion of wires.
- Combination head screws standard - slot/Phillips in the U.S.
- Add "-C" to catalog number for Canadian screws - slot/Robertson head combination.

AutoGrip™ Industrial Specification Grade Locking Plugs and Connectors

Rating A	V/AC	NEMA	Config- uration	Description/ Cord Diameter	Color	Catalog No.	
						Plug	Connector
15	125	L5-15	2 Pole, 3 Wire	Straight: 0.250"-0.656" (6.4mm-16.7mm)	Black & White	4721N	4731N
				Straight: 0.250"-0.656" (7.62mm-16.7mm)	Black	4721NBK	—
				Straight: 0.250"-0.656" (7.62mm-16.7mm)	Gray	—	4731NGY
				Corrosion Resistant: 0.250"-0.656" (6.4mm-16.7mm)	Yellow	4721NCR	4731NCR
				Isolated Ground: 0.250"-0.656" (6.4mm-16.7mm)	Orange	IG4721N	—
15	250	L6-15	2 Pole, 3 Wire	Straight: 0.250"-0.656" (6.4mm-16.7mm)	Black & White	6565N	6566N
				Isolated Ground: 0.250"-0.656" (6.4mm-16.7mm)	Orange	IG6565N	—
15	277	L7-15	2 Pole, 3 Wire	Straight: 0.250"-0.656" (6.4mm-16.7mm)	Black & White	4771N	4772N
				Straight: 0.250"-0.656" (6.4mm-16.7mm)	White	4771NW	—
15/ 10	125/ 250	Non- NEMA	3 Pole, 3 Wire	Straight: 0.250"-0.656" (6.4mm-16.7mm)	Black & White	7567N*	7565N*

*Not CSA certified

NOTE: Weather Protective Boots from Cooper Wiring Devices that may be used with these products are described on page E-72 in this section.



L5-15P



L5-15R



L6-15P



L6-15R



L7-15P



L7-15R



**PLUG
NON-NEMA
15A 125V
10A 250V**



**RECEPTACLE
NON-NEMA
15A 125V
10A 250V**

TESTING & CODE COMPLIANCE

- Listed to UL 498, (file no. E3663).
- CSA Certified to C22.2 no. 42 (file no. LR7087) except as noted.

MATERIAL CHARACTERISTICS

Nylon.
Temperature Rating:
-40°C to 75°C.

Industrial Specification Grade Hart-Lock® Locking Devices

2 Pole, 3 Wire Grounding
3 Pole, 3 Wire Non-Grounding
NEMA L5-15, 15A 125V
NEMA L6-15, 15A 250V
NEMA L7-15, 15A 277V
Non-NEMA, 15/10A 125/250V



INDUSTRIAL
COMMERCIAL

E-8
LOCKING
DEVICES

TESTING & CODE COMPLIANCE

- Flanged Inlet: Listed to UL 498, (file no. E3663).
- Flanged Outlets: Listed to UL 498 (file no. E2369.)
- CSA Certified to C22.2 no. 42 (file no. LR7087) except as noted.

MATERIAL CHARACTERISTICS

Nylon.
Environmental: Flammability per UL 94 requirements, V2 rated.
Temperature Rating: -40°C to 75°C.

15A 125V Industrial Specification Grade Flanged Inlets and Outlets

FEATURES

- Nylon construction.
- Mounting holes interchangeable with competitive units.
- Back wire terminal clamps for easy secure wiring.
- Individual wiring compartments with tapered channel for easy insertion of wires.
- Combination head screws standard – slot/Phillips in the U.S.
- Add "-C" to catalog number for Canadian screws – slot/Robertson head combination.

Industrial Specification Grade Locking Flanged Inlets and Outlets

Rating A	V/AC	NEMA	Configuration	Color	Catalog No.	
					Inlet	Outlet
15	125	L5-15	2 Pole, 3 Wire	Black & White	CWL515FI	CWL515FO
15	250	L6-15	2 Pole, 3 Wire	Black & White	CWL615FI	CWL615FO
15	277	L7-15	2 Pole, 3 Wire	Black & White	CWL715FI	CWL715FO
15/10	125/250	Non-NEMA	3 Pole, 3 Wire	Black & White	7556C*	7557C*

*Not CSA certified.

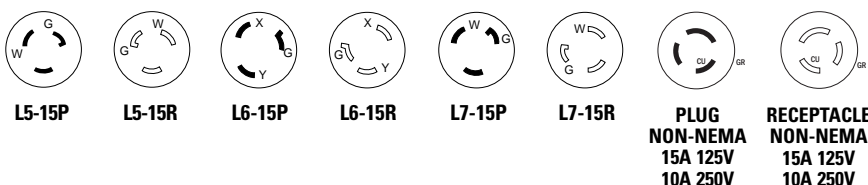
NOTE: Weather Protective Covers from Cooper Wiring Devices that may be used with these products are described on page E-71 in this section.



CWL515FI



CWL515FO





Industrial Specification Grade Hart-Lock® Locking Devices

2 Pole, 3 Wire Grounding
NEMA L5-20, 20A 125V
NEMA L6-20, 20A 250V
NEMA L7-20, 20A 277V
NEMA L8-20, 20A 480V
NEMA L9-20, 20A 600V

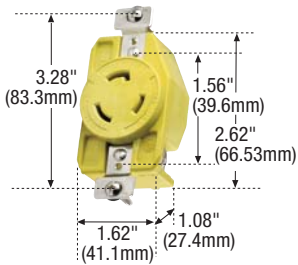
20A 2 Pole, 3 Wire Grounding Industrial Specification Grade Locking Receptacles

FEATURES

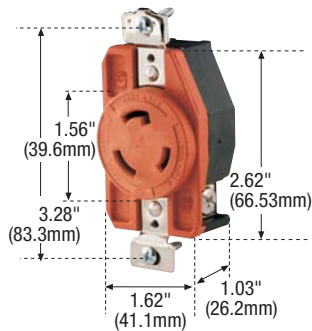
- Rugged fiberglass reinforced nylon body.
- Clearly marked rating, NEMA configuration and approval listings on receptacle face.
- One piece brass contacts offer superior performance and minimum heat rise.
- Back wire terminal clamps for easy secure wiring.
- Combination head screws standard - slot/Phillips in the U.S.
- Add -C to catalog number for Canadian screws - slot/Robertson head combination.
- Safety ground clip provided for fast installation.

INDUSTRIAL
COMMERCIAL

E-9 LOCKING DEVICES



CRL520R

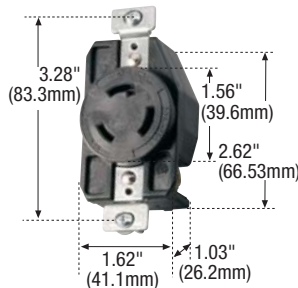


Industrial Specification Grade Locking Receptacles

Rating	A	V/AC	NEMA	Description	Color	Catalog No.
20	125	L5-20	Standard	Black	CWL520R*	
			Corrosion Resistant	Yellow	CRL520R*	
			Isolated Ground	Orange	IGL520R	
20	250	L6-20	Standard	Black	CWL620R*	
			Corrosion Resistant	Yellow	CRL620R*	
			Isolated Ground	Orange	IGL620R	
20	277	L7-20	Standard	Black	CWL720R*	
			Isolated Ground	Orange	IGL720R	
20	480	L8-20	Standard	Black	CWL820R*	
			Isolated Ground	Orange	IGL820R	
20	600	L9-20	Standard	Black	CWL920R	

*UL Listed to Federal Spec. WC-596

NOTE: Weather Protective Covers from Cooper Wiring Devices that may be used with these products are described on page E-71 in this section.



L5-20R



L6-20R



L7-20R



L8-20R



L9-20R

TESTING & CODE COMPLIANCE

- Listed to UL 498 (file no. E2369).
- CSA Certified to C22.2 no. 42 (file no. LR7087).

MATERIAL CHARACTERISTICS

Glass filled Nylon.
 Environmental:
 Flammability per UL 94 requirements, VO rated.
 Temperature Rating:
 Receptacles:
 -40°C to 105°C.

Industrial Specification Grade Hart-Lock® Locking Devices

2 Pole, 3 Wire Grounding
NEMA L5-20, 20A 125V
NEMA L6-20, 20A 250V
NEMA L7-20, 20A 277V
NEMA L8-20, 20A 480V
NEMA L9-20, 20A 600V

20A 2 Pole, 3 Wire Grounding Industrial Specification Grade Plugs and Connectors

FEATURES

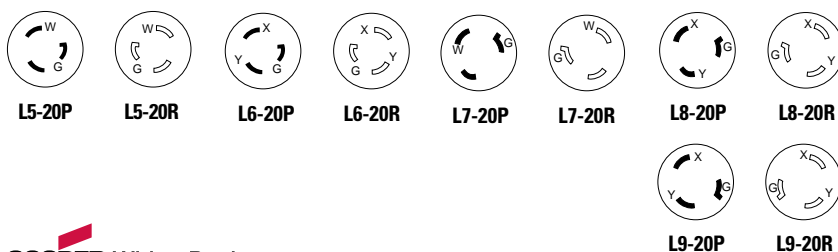
- All nylon construction.
- Back wire Dead-Front design.
- Neoprene gasket seals cord hole from dust and debris.
- Inserts included for three separate cord grip ranges.
- Back wire terminal clamps for easy secure wiring.
- Individual wiring compartments with tapered channel for easy insertion of wires.
- Clear cover over wiring compartments allow easy inspection of wiring terminations.
- Combination head screws standard - slot/Phillips in the U.S.
- Add "-C" to catalog number for Canadian screws - slot/Robertson head combination.

Industrial Specification Grade Locking Plugs and Connectors

Rating A	V/AC	NEMA	Description/ Cord Diameter	Color	Catalog No. Plug	Connector
15	125	L5-20	Straight: 0.38"-1.00" (9.5mm-25.4mm)	Black & White	CWL520P	CWL520C
			Straight: 0.38"-1.00" (9.5mm-25.4mm)	Black	CWL520PBK	CWL520CBK
			Corrosion Resistant: 0.38"-1.00" (9.5mm-25.4mm)	Yellow	CRL520P	CRL520C
			Isolated Ground: 0.38"-1.00" (9.5mm-25.4mm)	Orange	IGL520P	—
20	250	L6-20	Straight: 0.38"-1.00" (9.5mm-25.4mm)	Black & White	CWL620P	CWL620C
			Straight: 0.38"-1.00" (9.5mm-25.4mm)	Black	6212BK	6214BK
			Corrosion Resistant: 0.38"-1.00" (9.5mm-25.4mm)	Yellow	CRL620P	—
			Isolated Ground: 0.38"-1.00" (9.5mm-25.4mm)	Orange	IGL620P	—
20	277	L7-20	Straight: 0.38"-1.00" (9.5mm-25.4mm)	Black & White	CWL720P	CWL720C
20	480	L8-20	Straight: 0.38"-1.00" (9.5mm-25.4mm)	Black & White	CWL820P	CWL820C
20	600	L9-20	Straight: 0.30"-0.95" (7.6mm-24.1mm)	Black & White	CWL920P**	CWL920C**

** UL (file no E1381), CSA (file no. LR16215)

NOTE: Weather Protective Boots from Cooper Wiring Devices that may be used with these products are described on page E-72 in this section.



CWL520C



CWL520P



CRL520P



CWL620P



CRL520C



INDUSTRIAL
COMMERCIAL

E-10 LOCKING DEVICES

TESTING & CODE COMPLIANCE

- Listed to UL 498 (file no. E3663).
- cUL Certified to CSA C22.2 no. 42. (file no. E3663).

MATERIAL CHARACTERISTICS

Nylon.
Temperature Rating:
-40°C to 75°C;
except CWL920P,
CWL920C,
-40°C to 60°C.



Industrial Specification Grade Hart-Lock® Locking Devices

2 Pole, 3 Wire Grounding
NEMA L5-20, 20A 125V
NEMA L6-20, 20A 250V
NEMA L7-20, 20A 277V
NEMA L8-20, 20A 480V
NEMA L9-20, 20A 600V



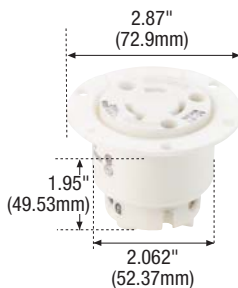
CWL520FO



CWL520FI



CWL920FI



CWL920FO

20A 2 Pole, 3 Wire Industrial Specification Grade Flanged Inlet and Outlet

FEATURES

- All nylon construction.
- Mounting holes interchangeable with competitive units.
- Back wire terminal clamps for easy secure wiring.
- Individual wiring compartments with tapered channel for easy insertion of wires.
- Combination head screws standard – slot/Phillips in the U.S.
- Add "-C" to catalog number for Canadian screws – slot/Robertson head combination.

Industrial Specification Grade Flanged Inlets and Outlets

Rating A	V/AC	NEMA	Color	Catalog No.	
				Inlet	Outlet
20	125	L5-20	Black & White	CWL520FI	CWL520FO
20	250	L6-20	Black & White	CWL620FI	CWL620FO
20	277	L7-20	Black & White	CWL720FI	CWL720FO
20	480	L8-20	Black & White	CWL820FI	CWL820FO
20	600	L9-20	White	CWL920FI*#	CWL920FO**#

*UL (file no. 1381)

**UL (file no. 2558)

#CSA Listed (file no. LR16215)

NOTE: Weather Protective Covers and Enclosures from Cooper Wiring Devices that may be used with these products are described on pages E-71, E-73 and E-74 in this section.

INDUSTRIAL
COMMERCIAL

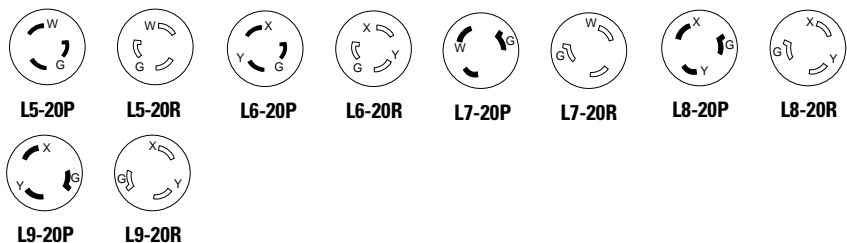
E-11
LOCKING
DEVICES

TESTING & CODE COMPLIANCE

Flanged Inlet:
Listed to UL 498,
(file no. E3663).
Flanged Outlets:
listed to UL 498
(file no. E2369).
· cUL Certified to
CSA C22.2 no. 42
(file no. E3663
and E2369)
except as noted.

MATERIAL CHARACTERISTICS

Nylon.
Environmental:
Flammability
per UL 94
requirements,
V2 rated except
CWL920FI,
CWL920FO
Temperature Rating:
Flanged Inlets
and Outlets:
-40°C to 80°C
except CWL920FI,
CWL920FO:
-40°C to 60°C.



Industrial Specification Grade Hart-Lock® Locking Devices

2 Pole, 3 Wire Grounding
NEMA L5-30, 30A 125V
NEMA L6-30, 30A 250V
NEMA L7-30, 30A 277V
NEMA L8-30, 30A 480V
NEMA L9-30, 30A 600V



INDUSTRIAL
COMMERCIAL

E-12 LOCKING DEVICES

TESTING & CODE COMPLIANCE

- Listed to UL 498 (file no. E2369).
- CSA Certified to C22.2 no. 42 (file no. LR7087).

MATERIAL CHARACTERISTICS

Glass filled Nylon.
Environmental:
Flammability per
UL 94 requirements,
V0 rated.
Temperature Rating:
-40°C to 105°C.

30A 2 Pole, 3 Wire Grounding Industrial Specification Grade Locking Receptacles

FEATURES

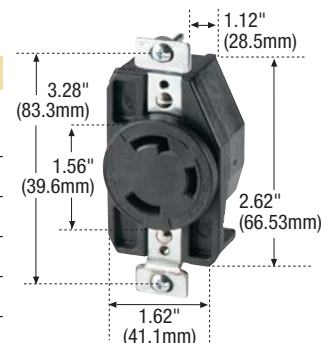
- Rugged fiberglass reinforced nylon body and face.
- Clearly marked rating, NEMA configuration and approval listings on receptacle face.
- One piece brass contacts offer superior performance and minimum heat rise.
- Back wire terminal clamps for easy secure wiring.
- Combination head screws standard – slot/Phillips in the U.S.
- Add -C to catalog number for Canadian screws – slot/Robertson head combination.
- Safety ground clip provided for fast installation.

Industrial Specification Grade Single Receptacles – Back and Side Wire

Rating	A	V/AC	NEMA	Description	Color	Catalog No.
30	125	L5-30	Standard	Black	CWL530R*	
			Corrosion Resistant	Yellow	CRL530R*	
			Isolated Ground	Orange	IGL530R	
30	250	L6-30	Standard	Black	CWL630R*	
			Corrosion Resistant	Yellow	CRL630R*	
			Isolated Ground	Orange	IGL630R	
30	277	L7-30	Standard	Black	CWL730R*	
			Isolated Ground	Orange	IGL730R	
30	480	L8-30	Standard	Black	CWL830R*	
			Isolated Ground	Orange	IGL830R	
30	600	L9-30	Standard	Black	CWL930R	

*UL Listed to Federal Spec. WC-596F

NOTE: Weather Protective Covers from Cooper Wiring Devices that may be used with these products are described on page E-71 in this section.



CWL530R



CWL630R





Industrial Specification Grade Hart-Lock® Locking Devices

2 Pole, 3 Wire Grounding
NEMA FSL1-30, 30A 28V/DC
NEMA FSL2-30, 30A 120V
NEMA L5-30, 30A 125V
NEMA L6-30, 30A 250V
NEMA L7-30, 30A 277V
NEMA L8-30, 30A 480V
NEMA L9-30, 30A 600V

30A 2 Pole, 3 Wire Grounding Industrial Specification Grade Plugs and Connectors

FEATURES

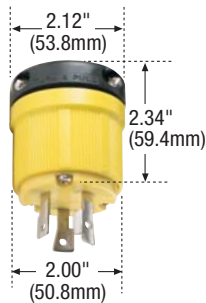
- Back wire Dead-Front design.
- Neoprene gasket seals cord hole from dust and debris.
- Inserts included for three separate cord grip ranges.
- Back wire terminal clamps for easy secure wiring.
- Individual wiring compartments with tapered channel for easy insertion of wires.
- Clear cover over wiring compartments allow easy inspection of wiring terminations.
- Combination head screws standard – slot/Phillips in the U.S.
- Add -C to catalog number for Canadian screws – slot/Robertson head combination.



CWL530P



CWL730P



CRL530P

Industrial Specification Grade Locking Plugs and Connectors

Rating A	V/AC	NEMA	Description/ Cord Diameter	Color	Catalog No. Plug	Connector
30	28V/DC	FSL1-30	Straight: 0.30"-0.95" (7.6mm-24.1mm)	Black & White	FSL130P*	FSL130C*
30	120, 400Hz	FSL2-30	Straight: 0.30"-0.95" (7.6mm-24.1mm)	Black & White	FSL230P*	FSL230C*
30	125	L5-30	Straight: 0.38"-1.00" (9.5mm-25.4mm)	Black & White	CWL530P	CWL530C
			Straight: 0.38"-1.00" (9.5mm-25.4mm)	Black	6332BK	6334BK
			Corrosion Resistant: 0.38"-1.00" (9.5mm-25.4mm)	Yellow	CRL530P	CRL530C
30	250	L6-30	Straight: 0.38"-1.00" (9.5mm-25.4mm)	Black & White	CWL630P	CWL630C
			Corrosion Resistant: 0.38"-1.00" (9.5mm-25.4mm)	Yellow	CRL630P	CRL630C
30	277	L7-30	Straight: 0.38"-1.00" (9.5mm-25.4mm)	Black & White	CWL730P	CWL730C
30	480	L8-30	Straight: 0.38"-1.00" (9.5mm-25.4mm)	Black & White	CWL830P	CWL830C
30	600	L9-30	Straight: 0.30"-0.95" (7.6mm-24.1mm)	Black & White	CWL930P*	CWL930C*

*UL (file no. E1381), CSA (file no. LR16215).

NOTE: Weather Protective Boots from Cooper Wiring Devices that may be used with these products are described on page E-72.



FSL1P



FSL1R



FSL2P



FSL2R



L5-30P



L5-30R



L6-30P



L6-30R



L7-30P



L7-30R



L8-30P



L8-30R



L9-30P



L9-30R

INDUSTRIAL
COMMERCIAL

E-13
LOCKING
DEVICES

TESTING & CODE COMPLIANCE

- Listed to UL 498 (file no. E3663).
- cUL Certified to CSA C22.2 no. 42 (file no. E3663) except as noted.

MATERIAL CHARACTERISTICS

Nylon.
Temperature Rating:
-40°C to 75°C;
except CWL930P,
CWL930C,
-40°C to 60°C.

Industrial Specification Grade Hart-Lock® Locking Devices

2 Pole, 3 Wire Grounding
NEMA L5-30, 30A 125V
NEMA L6-30, 30A 250V
NEMA L7-30, 30A 277V
NEMA L8-30, 30A 480V
NEMA L9-30, 30A 600V



INDUSTRIAL
COMMERCIAL

E-14
LOCKING
DEVICES

30A 2 Pole, 3 Wire Industrial Specification Grade Flanged Inlet and Outlet

FEATURES

- Mounting holes interchangeable with competitive units.
- Back wire terminal clamps for easy secure wiring.
- Individual wiring compartments with tapered channel for easy insertion of wires.
- Combination head screws standard - slot/Phillips in the U.S.
- Add -C to catalog number for Canadian screws - slot/Robertson head combination.

Industrial Specification Grade Flanged Inlets and Outlets

Rating A	V/AC	NEMA	Color	Catalog No. Inlet	Outlet
30	125	L5-30	Black & White	CWL530FI	CWL530FO
30	250	L6-30	Black & White	CWL630FI	CWL630FO
30	277	L7-30	Black & White	CWL730FI	CWL730FO
30	480	L8-30	Black & White	CWL830FI	CWL830FO
30	600	L9-30	White	CWL930FI*#	CWL930FO†#

* UL (file no. E1381)

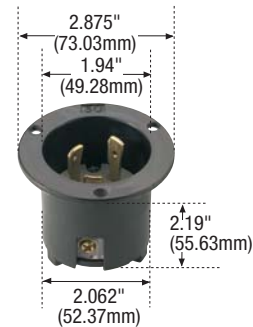
† UL (file no. E2258)

CSA (file no. LR16215)

NOTE: Weather Protective Covers and Enclosures from Cooper Wiring Devices that may be used with these products are described on pages E-71, E-73 and E-74 in this section.



CWL530FI



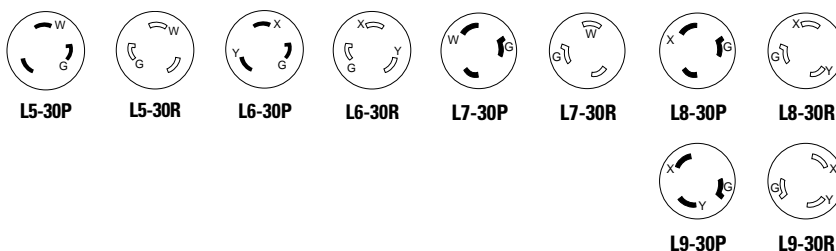
CWL730FI

TESTING & CODE COMPLIANCE

Flanged Inlet:
Listed to UL 498
(file no. E3663).
Flanged Outlets:
Listed to UL 498
(file no. E2369).
· cUL Certified to
CSA C22.2 no. 42
(file no. E3663
and E2369)
except as noted.

MATERIAL CHARACTERISTICS

Nylon.
Environmental:
Flammability
per UL 94
requirements,
V2 rated except
CWL930FI, CWL930FO.
Temperature Rating:
-40°C to 80°C except
CWL930FI, CWL930FO:
-40°C to 60°C.





Industrial Specification Grade Hart-Lock® Locking Devices

**3 Pole, 3 Wire Non-Grounding
Non-NEMA, 20A 125/250V
NEMA L10-20, 20A 125/250V
NEMA L11-20, 20A 250V 3Ø
NEMA L12-20, 20A 480V 3Ø**

INDUSTRIAL
COMMERCIAL

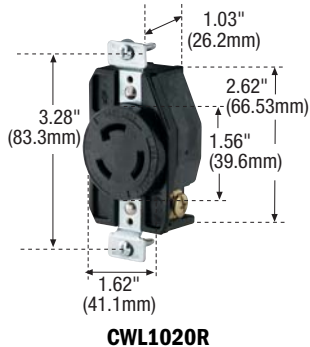
E-15 LOCKING DEVICES

TESTING & CODE COMPLIANCE

Listed to UL 498,
Plugs & Connectors:
(file no. E3663).
Receptacles:
(file no. E2369)
except as noted.

MATERIAL CHARACTERISTICS

Receptacles:
Glass filled Nylon,
Plugs & Connectors:
Nylon.
Environmental:
Flammability
per UL 94
requirements,
Receptacles V0 rated.
Temperature Rating:
Receptacles:
-40°C to 105°C;
Plugs & Connectors:
-40°C to 75°C
except CWL1220P,
CWL1220C:
-40°C to 60°C.



20A 3 Pole, 3 Wire Grounding Industrial Specification Grade Locking Receptacles

FEATURES

- Rugged fiberglass reinforced nylon body.
- Clearly marked rating, NEMA configuration and approval listings on receptacle face.
- One piece brass contacts offer superior performance and minimum heat rise.
- Back wire terminal clamps for easy secure wiring.
- Combination head screws standard - slot/Phillips in the U.S.
- Add -C to catalog number for Canadian screws - slot/Robertson head combination.
- Safety ground clip provided for fast installation.

Industrial Specification Grade Single Receptacles - Back and Side Wire

Rating A	V/AC	NEMA	Description	Color	Catalog No.
20	125/250	Non-NEMA	Standard	Black	7310B
20	125/250	L10-20	Standard	Black	CWL1020R
20	250V 3Ø	L11-20	Standard	Black	CWL1120R
20	480V 3Ø	L12-20	Standard	Black	CWL1220R

20A 3 Pole, 3 Wire Grounding Industrial Specification Grade Plugs and Connectors

FEATURES

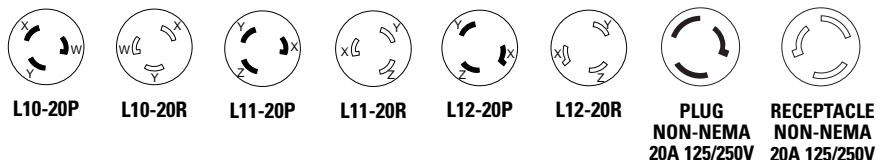
- Nylon construction.
- Back wire Dead-Front design.
- Neoprene gasket seals cord hole from dust and debris.
- Inserts included for three separate cord grip ranges.
- Back wire terminal clamps for easy secure wiring.
- Individual wiring compartments with tapered channel for easy insertion of wires.
- Clear cover over wiring compartments allow easy inspection of wiring terminations.
- Combination head screws standard - slot/Phillips in the U.S.
- Add -C to catalog number for Canadian screws - slot/Robertson head combination.

Industrial Specification Grade Locking Plugs and Connectors

Rating A	V/AC	NEMA	Description/ Cord Diameter	Color	Catalog No. Plug	Catalog No. Connector
20	125/250	Non-NEMA	Straight: 0.38"-1.00" (9.5mm-25.4mm)	Black & White	9965C	7314C
20	125/250	L10-20	Straight: 0.38"-1.00" (9.5mm-25.4mm)	Black & White	CWL1020P	CWL1020C
20	250V 3Ø	L11-20	Straight: 0.38"-1.00" (9.5mm-25.4mm)	Black & White	CWL1120P	CWL1120C
20	480V 3Ø	L12-20	Straight: 0.30"-0.95" (7.6mm-24.1mm)	Black & White	CWL1220P*	CWL1220C*

*UL (file no. E1381)

NOTE: Weather Protective Covers and Boots from Cooper Wiring Devices that may be used with these products are described on pages E-71 and E-72 in this section.



Industrial Specification Grade Hart-Lock® Locking Devices

3 Pole, 3 Wire Non-Grounding
Non-NEMA, 20A 125/250V
NEMA L10-20, 20A 125/250V
NEMA L11-20, 20A 250V 3Ø
NEMA L12-20, 20A 480V 3Ø



INDUSTRIAL
COMMERCIAL

E-16 LOCKING DEVICES

TESTING & CODE COMPLIANCE

Flanged Inlet:
Listed to UL 498,
(file no. E3663).
Flanged Outlets:
Listed to UL 498
(file no. E2369)
except as noted.

MATERIAL CHARACTERISTICS

Nylon.
Environmental:
Flammability
per UL 94
requirements,
V2 rated except
CWL1220FI,
CWL1220FO
Temperature Rating:
Flanged Inlets
and Outlets:
-40°C to 80°C
except CWL1220FI,
CWL1220FO:
-40°C to 60°C.

20A 3 Pole, 3 Wire Industrial Specification Grade Flanged Inlets and Outlets

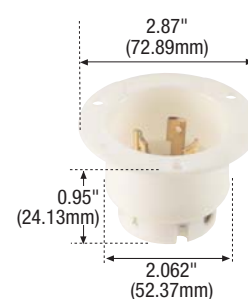
FEATURES

- All nylon construction.
- Mounting holes interchangeable with competitive units.
- Back wire terminal clamps for easy secure wiring.
- Individual wiring compartments with tapered channel for easy insertion of wires.
- Combination head screws standard – slot/Phillips in the US.
- Add -C to catalog number for Canadian screws – slot/Robertson head combination.

Industrial Specification Grade Flanged Inlets and Outlets

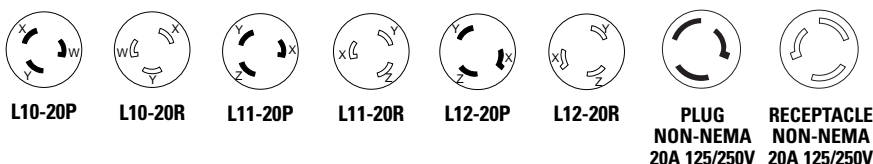
Rating		Catalog No.			
A	V/AC	NEMA	Color	Inlet	Outlet
20	125/250	Non-NEMA	Black & White	7327N	7328N
20	125/250	L10-20	Black & White	CWL1020FI	CWL1020FO
20	250V 3Ø	L11-20	Black & White	CWL1120FI	CWL1120FO
20	480V 3Ø	L12-20	White	CWL1220FI*	CWL1220FO**

*UL (file no. 1381)
**UL (file no. 2558)



CWL1220FI

NOTE: Weather Protective Covers and Enclosures from Cooper Wiring Devices that may be used with these products are described on pages E-71, E-73 and E-74 in this section.





INDUSTRIAL
COMMERCIAL

E-17 LOCKING DEVICES

TESTING & CODE COMPLIANCE

Listed to UL 498,
Plugs & Connectors:
(file no. E3663)
except CWL1230P,
CWL1230C,
CWPL1330P
CWL1330C,
(file no. E1381).
Receptacles:
(file no. E2369).

MATERIAL CHARACTERISTICS

Receptacles:
Glass filled Nylon,
Plugs & Connectors:
Nylon.
Environmental:
Flammability
per UL 94
requirements,
Receptacles VO rated.
Temperature Rating:
Receptacles:
-40°C to 105°C;
Plugs & Connectors:
-40°C to 75°C
except CWL1230P, C
& CWL1330P, C:
-40°C to 60°C.



Industrial Specification Grade Hart-Lock® Locking Devices

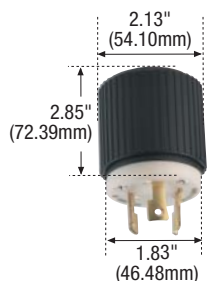
**3 Pole, 3 Wire Non-Grounding
Non-NEMA, 30A 125/250V
NEMA L10-30, 30A 125/250V
NEMA L11-30, 30A 250V 3Ø
NEMA L12-30, 30A 480V 3Ø
NEMA L13-30, 30A 600V 3Ø**



CWL1130P



CWL1030R



CWL1230P



CWL1230C

30A 3 Pole, 3 Wire Non-Grounding Industrial Specification Grade Locking Receptacles

FEATURES

- Rugged fiberglass reinforced nylon body.
- Clearly marked rating, NEMA configuration and approval listings on receptacle face.
- One piece brass contacts offer superior performance and minimum heat rise.
- Back wire terminal clamps for easy secure wiring.
- Combination head screws standard - slot/Phillips in the U.S.
- Add -C to catalog number for Canadian screws - slot/Robertson head combination.
- Safety ground clip provided for fast installation.

Industrial Specification Grade Single Receptacles - Back and Side Wire

Rating	A	V/AC	NEMA	Description	Color	Catalog No.
30	125/250	Non-NEMA	Single	Black	3330-2	
30	125/250	L10-30	Single	Black	CWL1030R	
30	250V 3Ø	L11-30	Single	Black	CWL1130R	
30	480V 3Ø	L12-30	Single	Black	CWL1230R	
30	600V 3Ø	L13-30	Single	Black	CWL1330R	

30A 3 Pole, 3 Wire Non-Grounding Industrial Specification Grade Plugs and Connectors

FEATURES

- Nylon construction.
- Back wire "Dead-Front" design.
- Neoprene gasket seals cord hole from dust and debris.
- Inserts included for three separate cord grip ranges.
- Back wire terminal clamps for easy secure wiring.
- Individual wiring compartments with tapered channel for easy insertion of wires.
- Clear cover over wiring compartments allow easy inspection of wiring terminations.
- Combination head screws standard - slot phillips in the U.S.

Industrial Specification Grade Locking Plugs and Connectors

Rating	A	V/AC	NEMA	Cord Diameter	Color	Plug	Catalog No. Connector
30	125/250	Non-NEMA	0.38"-1.00" (9.5mm-25.4mm)	Black & White	3331N	3333N	
30	125/250	L10-30	0.38"-1.00" (9.5mm-25.4mm)	Black & White	CWL1030P	CWL1030C	
30	250V 3Ø	L11-30	0.38"-1.00" (9.5mm-25.4mm)	Black & White	CWL1130P	CWL1130C	
30	480V 3Ø	L12-30	Straight: 0.30"-0.95" (7.6mm-24.1mm)	Black & White	CWL1230P	CWL1230C	
30	600V 3Ø	L13-30	Straight: 0.30"-0.95" (7.6mm-24.1mm)	Black & White	CWL1330P	CWL1330C	

NOTE: Weather Protective Covers and Boots from Cooper Wiring Devices that may be used with these products are described on pages E-71 and E-72 in this section.



**PLUG
NON-NEMA
30A 125/250V**



**RECEPTACLE
NON-NEMA
30A 125/250V**



L10-30P



L10-30R



L11-30P



L11-30R



L12-30P



L12-30R



L13-30P



L13-30R

Industrial Specification Grade Hart-Lock® Locking Devices

3 Pole, 3 Wire Non-Grounding
Non-NEMA, 30A 125/250V
NEMA L10-30, 30A 125/250V
NEMA L11-30, 30A 250V 3Ø
NEMA L12-30, 30A 480V 3Ø
NEMA L13-30, 30A 600V 3Ø



INDUSTRIAL
COMMERCIAL

E-18 LOCKING DEVICES

TESTING & CODE COMPLIANCE

Flanged Inlet:
Listed to UL 498,
(file no. E3663).
Flanged Outlets:
Listed to UL 498
(file no. E2369)
except as noted.

MATERIAL CHARACTERISTICS

Nylon.
Environmental:
Flammability
per UL 94
requirements,
V2 rated except
CWL1230FI, FO &
CWL1330FI, FO.
Temperature Rating:
Flanged Inlets
and Outlets:
-40°C to 80°C
except CWL1230FI, FO
& CWL1330FI, FO:
-40°C to 60°C.

30A 3 Pole, 3 Wire Industrial Grade Flanged Inlet and Outlet

FEATURES

- All nylon construction.
- Mounting holes interchangeable with competitive units.
- Back wire terminal clamps for easy secure wiring.
- Individual wiring compartments with tapered channel for easy insertion of wires.
- Combination head screws standard - slot/Phillips in the U.S.
- Add -C to catalog number for Canadian screws - slot/Robertson head combination.

Industrial Specification Grade Flanged Inlets and Outlets

Rating A	V/AC	NEMA	Color	Catalog No.	
				Inlet	Outlet
30	125/250	Non-NEMA	Black & White	3337N	3336N
30	125/250	L10-30	Black & White	CWL1030FI	CWL1030FO
30	250V 3Ø	L11-30	Black & White	CWL1130FI	CWL1130FO
30	480V 3Ø	L12-30	White	CWL1230FI*	CWL1230FO**
30	600V 3Ø	L13-30	White	CWL1330FI*	CWL1330FO**

*UL (file no. 1381)

**UL (file no. 2558)

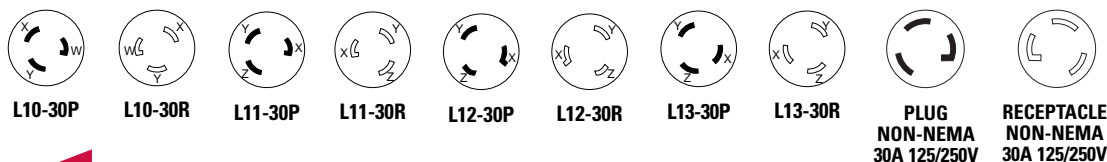
NOTE: Weather Protective Covers and Enclosures from Cooper Wiring Devices that may be used with these products are described on pages E-71, E-73 and E-74 in this section.



CWL1230FI



CWL1230FO





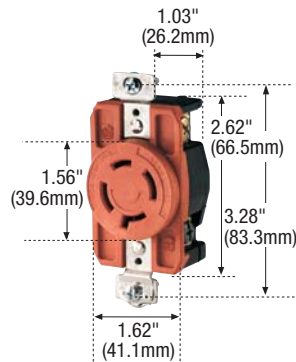
Industrial Specification Grade Hart-Lock® Locking Devices

3 Pole, 4 Wire Grounding
NEMA L14-20, 20A 125/250V
NEMA L15-20, 20A 250V 3Ø
NEMA L16-20, 20A 480V 3Ø

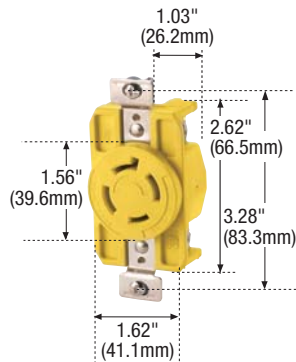
20A 3 Pole, 4 Wire Grounding Industrial Specification Grade Locking Receptacles



CWL1420R



IGL1420R



CRL1420R

FEATURES

- Rugged fiberglass reinforced nylon body.
- Clearly marked rating, NEMA configuration and approval listings on receptacle face.
- One piece brass contacts offer superior performance and minimum heat rise.
- Back wire terminal clamps for easy secure wiring.
- Combination head screws standard - slot/Phillips in the U.S.
- Add -C to catalog number for Canadian screws - slot/Robertson head combination.
- Safety ground clip provided for fast installation.

Industrial Specification Grade Single Receptacles - Back and Side Wire

Rating	A	V/AC	NEMA	Description	Color	Catalog No.
20	125/250	L14-20	Standard	Black	CWL1420R	
			Corrosion Resistant	Yellow	CRL1420R	
			Isolated Ground	Orange	IGL1420R*	
20	250V 3Ø	L15-20	Standard	Black	CWL1520R	
			Corrosion Resistant	Yellow	CRL1520R	
			Isolated Ground	Orange	IGL1520R*	
20	480V 3Ø	L16-20	Standard	Black	CWL1620R*	
			Isolated Ground	Orange	IGL1620R*	

*Not Federal spec. listed

NOTE: Weather Protective Covers from Cooper Wiring Devices that may be used with these products are described on page E-71 in this section.

INDUSTRIAL
COMMERCIAL

E-19
LOCKING
DEVICES

TESTING & CODE COMPLIANCE

- Listed to UL 498 (file no. E2369).
- UL Listed to Federal Spec. W-C-596 except as noted.
- CSA Certified to C22.2 no. 42 (file no. LR7087).

MATERIAL CHARACTERISTICS

Glass filled Nylon.
Meets flammability per UL 94 requirements, VO rated.
Temperature Rating: -40°C to 105°C.



L14-20R

L15-20R

L16-20R

Industrial Specification Grade Hart-Lock® Locking Devices

3 Pole, 4 Wire Grounding
NEMA L14-20, 20A 125/250V
NEMA L15-20, 20A 250V 3Ø
NEMA L16-20, 20A 480V 3Ø



20A 3 Pole, 4 Wire Grounding Industrial Specification Grade Plugs and Connectors

FEATURES

- Back wire Dead-Front design.
- Neoprene gasket seals cord hole from dust and debris.
- Inserts included for three separate cord grip ranges.
- Back wire terminal clamps for easy secure wiring.
- Individual wiring compartments with tapered channel for easy insertion of wires.
- Clear cover over wiring compartments allows easy inspection of wiring terminations.
- Combination head screws standard - slot/Phillips in the U.S.
- Add -C to catalog number for Canadian screws - slot/Robertson head combination.



CWL1520P

Industrial Specification Grade Locking Plugs and Connectors

Rating A	V/AC	NEMA	Description/ Cord Diameter	Color	Catalog No.	
					Plug	Connector
20	125/250	L14-20	Standard: 0.38"-1.00" (9.5mm-25.4mm)	Black & White	CWL1420P	CWL1420C
			Standard: 0.38"-1.00"	Black	CWL1420PBK	CWL1420CBK
			Corrosion Resistant: .38"-1.00" (9.5mm-25.4mm)	Yellow	CRL1420P	CRL1420C
20	250V 3Ø	L15-20	Standard: 0.38"-1.00" (9.5mm-25.4mm)	Black & White	CWL1520P	CWL1520C
			Corrosion Resistant: .38"-1.00" (9.5mm-25.4mm)	Yellow	CRL1520P	CRL1520C
20	480V 3Ø	L16-20	Standard: 0.38"-1.00" (9.5mm-25.4mm)	Black & White	CWL1620P	CWL1620C
			Standard: 0.38"-1.00"	Black	CWL1620PBK	CWL1620CBK



CWL1420FO



6405BK



CWL1620FO

20A 3 Pole, 4 Wire Industrial Specification Grade Flanged Inlet and Outlet

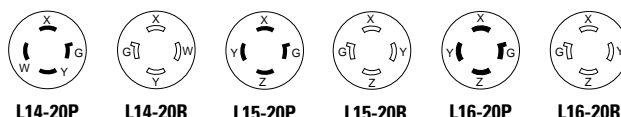
FEATURES

- Mounting holes interchangeable with competitive units.
- Back wire terminal clamps for easy secure wiring.
- Individual wiring compartments with tapered channel for easy insertion of wires.
- Combination head screws standard - slot/Phillips in the U.S.
- Add "-C" to catalog number for Canadian screws - slot/Robertson head combination.

Industrial Specification Grade Flanged Inlets and Outlets

Rating A	V/AC	NEMA	Color	Catalog No.	
				Inlet	Outlet
20	125/250	L14-20	Black & White	CWL1420FI	CWL1420FO
			Black	6405BK	6406BK
20	250V 3Ø	L15-20	Black & White	CWL1520FI	CWL1520FO
20	480V 3Ø	L16-20	Black & White	CWL1620FI	CWL1620FO

NOTE: Weather Protective Covers, Enclosures and Boots Cooper Wiring Devices that may be used with these products are described on pages E-71 - E-74 in this section.



L14-20P

L14-20R

L15-20P

L15-20R

L16-20P

L16-20R

INDUSTRIAL
COMMERCIAL

E-20
LOCKING
DEVICES

TESTING & CODE COMPLIANCE

- Listed to UL 498 Plugs, Connectors, Flanged Inlet: (file no. E3663). Flanged Outlets: (file no. E2369).
- cUL Certified to CSA C22.2 no. 42 (file no. E3663 and E2369).

MATERIAL CHARACTERISTICS

Nylon.
Environmental:
Flammability per UL 94 requirements.
Flanged Inlets and Outlets are V2 rated.
Temperature Rating:
Plugs, Connectors: -40°C to 75°C;
Flanged Inlets, Outlets: -40°C to 80°C.



INDUSTRIAL
COMMERCIAL

E-21 LOCKING DEVICES

TESTING & CODE COMPLIANCE

- Listed to UL 498 (file no. E2369); UL Listed to Federal Spec. WC-596.
- CSA Certified to C22.2 no. 42 (file no. LR7087) except as noted.

MATERIAL CHARACTERISTICS

Glass filled Nylon except FSL330R is Urea.
Environmental:
Flammability per UL 94 requirements, VO rated except FSL330R.
Temperature Rating:
-40°C to 105°C except FSL330R:
-40°C to 60°C.

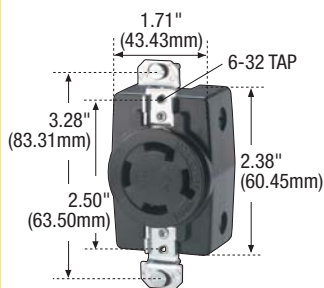


Industrial Specification Grade Hart-Lock® Locking Devices

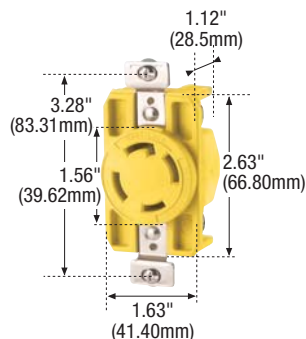
3 Pole, 4 Wire Grounding
NEMA FSL3-30, 30A 120V 3Ø
NEMA L14-30, 30A 125/250V
NEMA L15-30, 30A 250V 3Ø
NEMA L16-30, 30A 480V 3Ø
NEMA L17-30, 30A 600V 3Ø



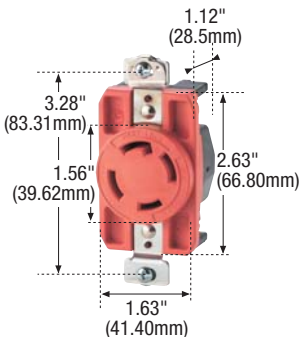
CWL1430R



FSL330R



CRL1430R



IGL1430R

30A 3 Pole, 4 Wire Grounding Industrial Specification Grade Locking Receptacles

FEATURES

- Rugged fiberglass reinforced nylon body.
- Clearly marked rating, NEMA configuration and approval listings on receptacle face.
- One piece brass contacts offer superior performance and minimum heat rise.
- Back wire terminal clamps for easy secure wiring.
- Combination head screws standard - slot/Phillips in the U.S.
- Add -C to catalog number for Canadian screws - slot/Robertson head combination.
- Safety ground clip provided for fast installation.

Industrial Specification Grade Single Receptacles - Back and Side Wire

Rating		NEMA	Description	Color	Catalog No.
A	V/AC				
30	120V 3Ø 400HZ	FSL3-30	Standard	Black	FSL330R*#
30	125/250	L14-30	Standard	Black	CWL1430R
			Corrosion Resistant	Yellow	CRL1430R
30	250V 3Ø	L15-30	Standard	Black	CWL1530R
			Isolated Ground	Orange	IGL1530R*
30	480V 3Ø	L16-30	Standard	Black	CWL1630R*
			Isolated Ground	Orange	IGL1630R*
30	600V 3Ø	L17-30	Standard	Black	CWL1730R*

*Not Federal spec. listed

#UL (file no. 2258), CSA (file no. LR16215)

NOTE: Weather Protective Covers from Cooper Wiring Devices that may be used with these products are described on page E-71 in this section.



FSL3R



L14-30R



L15-30R



L16-30R



L17-30R

Industrial Specification Grade Hart-Lock® Locking Devices

3 Pole, 4 Wire Grounding
NEMA FSL3-30, 30A 120V 3Ø
NEMA L14-30, 30A 125/250V
NEMA L15-30, 30A 250V 3Ø
NEMA L16-30, 30A 480V 3Ø
NEMA L17-30, 30A 600V 3Ø



INDUSTRIAL
COMMERCIAL

E-22 LOCKING DEVICES

TESTING & CODE COMPLIANCE
 · Listed to UL 498 (file no. E3663), except as noted.
 · cUL Certified to CSA C22.2 no. 42 (file no. E3663) except as noted.

MATERIAL CHARACTERISTICS
 Nylon.
 Temperature Rating: Receptacles: -40°C to 75°C, except FSL330P & FSL330C: -20°C to 60°C.

30A 3 Pole, 4 Wire Grounding Industrial Specification Grade Plugs and Connectors

FEATURES

- Nylon construction.
- Back wire Dead-Front design.
- Neoprene gasket seals cord hole from dust and debris.
- Inserts included for three separate cord grip ranges.
- Back wire terminal clamps for easy secure wiring.
- Individual wiring compartments with tapered channel for easy insertion of wires.
- Clear cover over wiring compartments allow easy inspection of wiring terminations.
- Combination head screws standard - slot/Phillips in the U.S.
- Add -C to catalog number for Canadian screws - slot/Robertson head combination.



CRL1430C



FSL330P



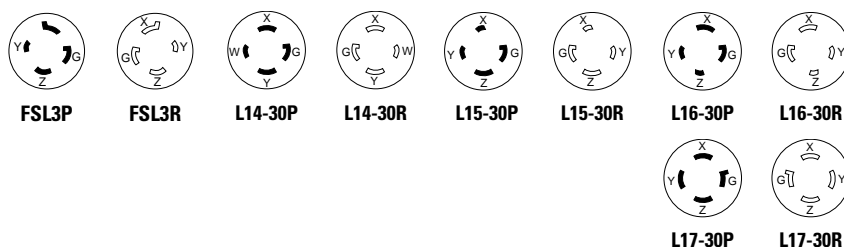
CWL1730P

Industrial Specification Grade Locking Plugs and Connectors

Rating A	V/AC	NEMA	Description/ Cord Diameter	Color	Catalog No.	
					Plug	Connector
30	120V 3Ø 400Hz	FSL3-30	Standard: 0.347"-1.15" (11.9mm-29.5mm)	Black & White	FSL330P*	FSL330C*
30	125/250	L14-30	Standard: 0.63"-1.16" (15.9mm-29.4mm)	Black & White	CWL1430P	CWL1430C
			Standard: 0.63"-1.16" (15.9mm-29.4mm)	Black	6512BK	6514BK
			Corrosion Resistant: 0.63"-1.16" (15.9mm-29.4mm)	Yellow	CRL1430P	CRL1430C
30	250V 3Ø	L15-30	Standard: 0.63"-1.16" (15.9mm-29.4mm)	Black & White	CWL1530P	CWL1530C
			Corrosion Resistant: 0.63"-1.16" (15.9mm-29.4mm)	Yellow	CRL1530P	CRL1530C
			Standard: 0.63"-1.16" (15.9mm-29.4mm)	Black & White	CWL1630P	CWL1630C
30	480V 3Ø	L16-30	Standard: 0.63"-1.16" (15.9mm-29.4mm)	Black & White	CWL1630P	CWL1630C
			Corrosion Resistant: 0.63"-1.16" (15.9mm-29.4mm)	Yellow	CRL1630P	—
30	600V 3Ø	L17-30	Standard: 0.63"-1.16" (15.9mm-29.4mm)	Black & White	CWL1730P	CWL1730C

*UL (file no. E1381), CSA (file no. LR16215)

NOTE: Weather Protective Boots from Cooper Wiring Devices that may be used with these products are described on page E-72 in this section.





Industrial Specification Grade Hart-Lock® Locking Devices

3 Pole, 4 Wire Grounding
NEMA L14-30, 30A 125/250V
NEMA L15-30, 30A 250V 3Ø
NEMA L16-30, 30A 480V 3Ø
NEMA L17-30, 30A 600V 3Ø

30A 3 Pole, 4 Wire Industrial Specification Grade Flanged Inlet and Outlet

FEATURES

- All nylon construction.
- Mounting holes interchangeable with competitive units.
- Back wire terminal clamps for easy secure wiring.
- Individual wiring compartments with tapered channel for easy insertion of wires.
- Combination head screws standard – slot/Phillips in the US.
- Add -C to catalog number for Canadian screws – slot/Robertson head combination.



CWL1430FI



CWL1530FI



CWL1730FI

Industrial Specification Grade Flanged Inlets and Outlets

Rating A	V/AC	NEMA	Color	Catalog No.	
				Inlet	Outlet
30	125/250	L14-30	Black & White	CWL1430FI	CWL1430FO
30	250V 3Ø	L15-30	Black & White	CWL1530FI	CWL1530FO
30	480V 3Ø	L16-30	Black & White	CWL1630FI	CWL1630FO
30	600V 3Ø	L17-30	Black & White	CWL1730FI	CWL1730FO

NOTE: Weather Protective Covers and Enclosures from Cooper Wiring Devices that may be used with these products are described on pages E-71, E-73 and E-74 in this section.

INDUSTRIAL
COMMERCIAL

E-23
LOCKING
DEVICES

TESTING & CODE COMPLIANCE

- Listed to UL 498 Flanged Inlets: (file no. E3663); Flanged Outlets (file no. E2369).
- cUL Certified to CSA C22.2 no.42 (file no. E3663 and E2369).

MATERIAL CHARACTERISTICS

Nylon.
 Environmental flammability per UL 94 requirements, V2 rated.
 Temperature Rating: -40°C to 80°C.



Industrial Specification Grade Hart-Lock® Locking Devices

**4 Pole, 4 Wire Non-Grounding
Non-NEMA, 20A 120/208V 3ØY
NEMA L18-20, 20A 120/208V 3ØY
NEMA L19-20, 20A 277/480V 3ØY
NEMA L20-20, 20A 347/600V 3ØY**



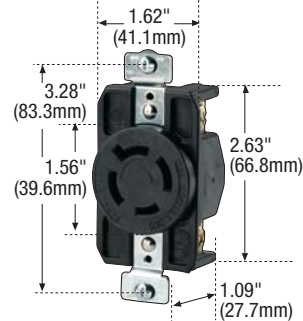
20A 4 Pole, 4 Wire Non-Grounding Industrial Specification Grade Locking Receptacles

FEATURES

- Clearly marked rating, NEMA configuration and approval listings on receptacle face.
- One piece brass contacts offer superior performance and minimum heat rise.
- Back wire terminal clamps for easy secure wiring.
- Combination head screws standard - slot/Phillips in the U.S.
- Add -C to catalog number for Canadian screws - slot/Robertson head combination.
- Safety ground clip provided for fast installation.

Industrial Specification Grade Single Receptacles - Back and Side Wire

Rating A	V/AC	NEMA	Description	Color	Catalog No.
20	120/208V 3ØY	L18-20	Single	Black	CWL1820R
20	120/208V 3ØY	Non-NEMA	Single	Black	7410B
20	277/480V 3ØY	L19-20	Single	Black	CWL1920R
20	347/600V 3ØY	L20-20	Single	Black	CWL2020R



CWL1820R



CWL1920P



CWL1920C



CWL2020P

20A 4 Pole, 4 Wire Non-Grounding Industrial Specification Grade Plugs and Connectors

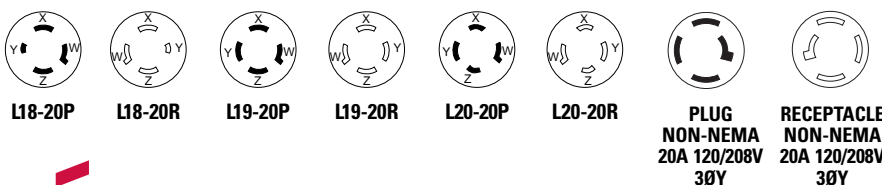
FEATURES

- Nylon construction.
- Back wire Dead-Front design.
- Neoprene gasket seals cord hole from dust and debris.
- Inserts included for three separate cord grip ranges.
- Back wire terminal clamps for easy secure wiring.
- Individual wiring compartments with tapered channel for easy insertion of wires.
- Clear cover over wiring compartments allow easy inspection of wiring terminations.
- Combination head screws standard - slot/Phillips in the U.S.
- Add -C to catalog number for Canadian screws - slot/Robertson head combination.

Industrial Specification Grade Locking Plugs and Connectors

Rating A	V/AC	NEMA	Cord Diameter	Color	Plug	Connector
20	120/208V 3ØY	L18-20	0.63"- 1.16" (15.9mm-29.4mm)	Black & White	CWL1820P	CWL1820C
20	120/208V 3ØY	Non-NEMA	0.63"- 1.16" (15.9mm-29.4mm)	Black & White	7411C	7413C
20	277/480V 3ØY	L19-20	0.63"- 1.16" (15.9mm-29.4mm)	Black & White	CWL1920P	CWL1920C
20	347/600V 3ØY	L20-20	0.63"- 1.16" (15.9mm-29.4mm)	Black & White	CWL2020P	CWL2020C

NOTE: Weather Protective Covers and Boots from Cooper Wiring Devices that may be used with these products are described on pages E-71 and E-72 in this section.



INDUSTRIAL
COMMERCIAL

E-24
LOCKING
DEVICES

TESTING & CODE COMPLIANCE

· Listed to UL 498, Plugs, Connectors: (file no. E3663).
Receptacles: (file no. E2369).
CWL1820R
UL Listed to Federal Spec. WC-596.

MATERIAL CHARACTERISTICS

Receptacles: Glass filled Nylon.
Plugs & Connectors: Nylon.
Environmental: Flammability per UL 94 requirements, Receptacles V0 rated.
Temperature Rating: Receptacles: -40°C to 105°C; Plugs & Connectors: -40°C to 75°C.



Industrial Specification Grade Hart-Lock® Locking Devices

4 Pole, 4 Wire Non-Grounding
 Non-NEMA, 20A 120/208V 3ØY
 NEMA L18-20, 20A 120/208V 3ØY
 NEMA L19-20, 20A 277/480V 3ØY
 NEMA L20-20, 20A 347/600V 3ØY

INDUSTRIAL
 COMMERCIAL

E-25 LOCKING DEVICES



CWL1920FI



CWL1820FI



CWL1920FO

20A 4 Pole, 4 Wire Industrial Specification Grade Flanged Inlet and Outlet

FEATURES

- All nylon construction.
- Mounting holes interchangeable with competitive units.
- Back wire terminal clamps for easy secure wiring.
- Individual wiring compartments with tapered channel for easy insertion of wires.
- Combination head screws standard - slot/Phillips in the U.S.
- Add -C to catalog number for Canadian screws - slot/Robertson head combination.

Industrial Specification Grade Flanged Inlets and Outlets

Rating A	V/AC	NEMA	Color	Catalog No.	
				Inlet	Outlet
20	120/208V 3ØY	L18-20	Black & White	CWL1820FI	CWL1820FO
20	120/208V 3ØY	Non-NEMA	Black & White	7408N	7409N
20	277/480V 3ØY	L19-20	Black & White	CWL1920FI	CWL1920FO
20	347/600V 3ØY	L20-20	Black & White	CWL2020FI	CWL2020FO

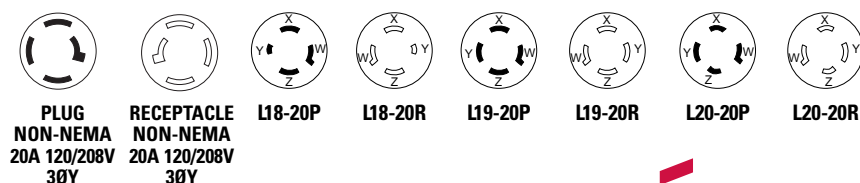
NOTE: Weather Protective Covers and Enclosures from Cooper Wiring Devices that may be used with products on pages E-25 and E-26 are described on pages E-71 - E-74 in this section.

TESTING & CODE COMPLIANCE

· Listed to UL 498
 Flanged Inlets:
 (file no. E3663);
 Flanged Outlets
 (file no. E2369).

MATERIAL CHARACTERISTICS

Nylon.
 Environmental flammability per UL 94 requirements, V2 rated.
 Temperature Rating:
 -40°C to 80°C.



Industrial Specification Grade Hart-Lock® Locking Devices

4 Pole, 4 Wire Non-Grounding
Non-NEMA, 30A 120/208V 3ØY
NEMA L18-30, 30A 120/208V 3ØY
NEMA L19-30, 30A 277/480V 3ØY
NEMA L20-30, 30A 347/600V 3ØY



INDUSTRIAL
COMMERCIAL

E-26 LOCKING DEVICES

TESTING & CODE COMPLIANCE

· Listed to UL 498
Plugs & Connectors:
(file no. E3663).
Receptacles:
(file no. E2369)

MATERIAL CHARACTERISTICS

Receptacles:
Glass filled Nylon.
Plugs, Connectors:
Nylon.
Environmental:
Flammability
per UL 94
requirements
Receptacles V0 rated.
Temperature Rating:
Receptacles:
-40°C to 105°C;
Plugs, Connectors:
-40°C to 75°C.

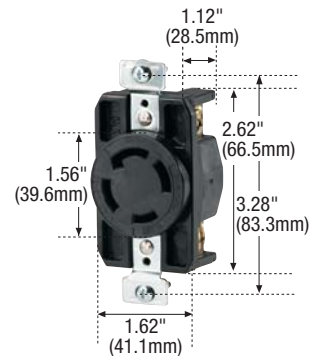
30A 4 Pole, 4 Wire Non-Grounding Industrial Specification Grade Locking Receptacles

FEATURES

- Rugged fiberglass reinforced nylon body.
- Clearly marked rating, NEMA configuration and approval listings on receptacle face.
- One piece brass contacts offer superior performance and minimum heat rise.
- Back wire terminal clamps for easy secure wiring.
- Combination head screws standard – slot/Phillips in the U.S.
- Add -C to catalog number for Canadian screws – slot/Robertson head combination.
- Safety ground clip provided for fast installation.

Industrial Specification Grade Single Receptacles – Back and Side Wire

Rating		NEMA	Description	Color	Catalog No.
A	V/AC				
30	120/208V 3ØY	L18-30	Single	Black	CWL1830R
30	120/208V 3ØY	Non-NEMA	Single	Black	3430
30	277/480V 3ØY	L19-30	Single	Black	CWL1930R
30	347/600V 3ØY	L20-30	Single	Black	CWL2030R



CWL1830R

30A 4 Pole, 4 Wire Grounding Industrial Specification Grade Plugs and Connectors

FEATURES

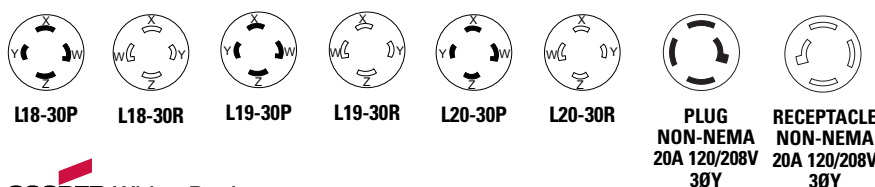
- Nylon construction.
- Back wire Dead-Front design.
- Neoprene gasket seals cord hole from dust and debris.
- Inserts included for three separate cord grip ranges.
- Back wire terminal clamps for easy secure wiring.
- Individual wiring compartments with tapered channel for easy insertion of wires.
- Clear cover over wiring compartments allow easy inspection of wiring terminations.
- Combination head screws standard – slot/Phillips in the U.S.
- Add -C to catalog number for Canadian screws – slot/Robertson head combination.

Industrial Specification Grade Locking Plugs and Connectors

Rating		NEMA	Cord Diameter	Color	Catalog No.	
A	V/AC				Plug	Connector
30	120/208V 3ØY	L18-30	0.63"- 1.16" (15.9mm-29.4mm)	Black & White	CWL1830P	CWL1830C
30	120/208V 3ØY	Non-NEMA	0.63"- 1.16" (15.9mm-29.4mm)	Black & White	3431N	3433N
30	277/480V 3ØY	L19-30	0.63"- 1.16" (15.9mm-29.4mm)	Black & White	CWL1930P	CWL1930C
30	347/600V 3ØY	L20-30	0.63"- 1.16" (15.9mm-29.4mm)	Black & White	CWL2030P	CWL2030C



CWL1930C





Industrial Specification Grade Hart-Lock® Locking Devices

**4 Pole, 4 Wire Non-Grounding
Non-NEMA, 30A 120/208V 3ØY
NEMA L18-30, 30A 120/208V 3ØY
NEMA L19-30, 30A 277/480V 3ØY
NEMA L20-30, 30A 347/600V 3ØY**

INDUSTRIAL
COMMERCIAL

E-27
LOCKING
DEVICES



CWL1930FO



CWL1830FI

30A 4 Pole, 4 Wire Industrial Specification Grade Flanged Inlet and Outlet

FEATURES

- All nylon construction.
- Mounting holes interchangeable with competitive units.
- Back wire terminal clamps for easy secure wiring.
- Individual wiring compartments with tapered channel for easy insertion of wires.
- Combination head screws standard – slot/Phillips in the U.S.
- Add -C to catalog number for Canadian screws – slot/Robertson head combination.

Industrial Specification Grade Flanged Inlets and Outlets

Rating A	V/AC	NEMA	Color	Catalog No.	
				Inlet	Outlet
30	120/208V 3ØY	L18-30	Black & White	CWL1830FI	CWL1830FO
30	120/208V 3ØY	Non-NEMA	Black & White	3434N	3436N
30	277/480V 3ØY	L19-30	Black & White	CWL1930FI	CWL1930FO
30	347/600V 3ØY	L20-30	Black & White	CWL2030FI	CWL2030FO

NOTE: Weather Protective Covers and Enclosures from Cooper Wiring Devices that may be used with these products are described on pages E-71, E-73 and E-74 in this section.

TESTING & CODE COMPLIANCE

· Listed to UL 498,
Flanged Inlet:
(file no. E3663);
Flanged Outlets:
(file no. E2369).

MATERIAL CHARACTERISTICS

Nylon.
Environmental:
Flammability
per UL 94
requirements.
V2 rated.
Temperature Rating:
-40°C to 80°C.

