

Addressable Fire Alarms Panels

E-FSA Series



E-FSA64

The Edwards Signaling E-FSA64 life safety system offers the reliability of analog/addressable fire detection for small to mid-sized applications. Built for long service, this system offers rotary device addressing, optional Ethernet® connectivity, and a full line of easy-to-configure option cards and modules.

The E-FSA64 provides one Class B analog/addressable device loop that supports up to 64 device addresses, and two Class B Notification Appliance Circuits (NACs). Optional Class A NAC wiring with the use of a separate module. The E-FSA64 supports a wide range of accessories and related equipment, including intelligent modules and pull stations, intelligent detectors, and bases remote annunciators and option cards that expand system capacity and extend system capabilities.

Features and Specifications

- One loop (expandable to two) that supports up to 64 analog/addressable devices of any type and two Class B NACs
- Form C contacts for alarm and trouble, Form A for supervisory
- Rotary addressing
- Optional Ethernet port for diagnostics, programming and system reports
- Two programmable switches with LEDs and custom labeling
- Supports horn silence over two wires and UL 1971-compliant strobe synchronization
- Optional Class A wiring
- Supports up to eight serial annunciators, (LCD, LED-only, and graphic interface)
- Use existing wiring for most retrofit applications
- Upload/download remotely or locally
- Two-level maintenance alert reporting
- Pre-alarm and alarm verification by point
- Adjustable detector sensitivity
- 4 x 20 character backlit LCD display
- Operating temperature range: 32°F to 120°F (0°C to 49°C)

Option Cards

Edwards Signaling panels are supported by a complete line of modules and related equipment that enhance performance and extend system capabilities. Option cards are easy to install and set up. They simply plug directly into the control panel main circuit board or are connected to it with a ribbon cable. After installation, terminals remain easily accessible for quick connection of field wiring. The cabinet provides ample room for wire routing, keeping wiring neat and easy to service at all times.

SA-CLA Class A Module

The SA-CLA card provides Class A capability for NAC wiring. Its terminal block provides the wiring connection for NAC return wiring. The SA-CLA is also required for "Class A" communications to R-Series remote annunciators. E-FSA250 panels are Class A ready. The SA-CLA is installed directly to the control panel circuit board using its plastic standoffs and plug connection.

SA-232 RS-232 Interface

The SA-232 card provides an RS-232 interface with Edwards Signaling panels. It can be used for connecting a printer to the control panel to print system events. The card also can be used for connecting a computer to download a configuration program from the FSA-CU to the control panel.

The RS-232 card is installed on the plastic assembly and connects to the main circuit board via a ribbon cable.

SA-ETH Ethernet Interface Card

The SA-ETH card provides a standard 10/100 Base T Ethernet network connection for connecting to an intranet, a local network, or the Internet. The card can be used to download configuration programming from the FSA-CU to the panel over the network.

The Ethernet card is installed on the plastic assembly and connects to the main circuit board via a ribbon cable.



Addressable Fire Alarms Panels

E-FSA Series

SA-DACT Dialer

The SA-DACT provides communications between the control panel and the central station over a telephone line system. It transmits system status changes (events) to a compatible digital alarm communicator receiver over the public switched telephone network. The dialer is capable of single, dual, or split reporting of events to two different account and telephone numbers. The modem feature of the SA-DACT can also be used for uploading and downloading panel

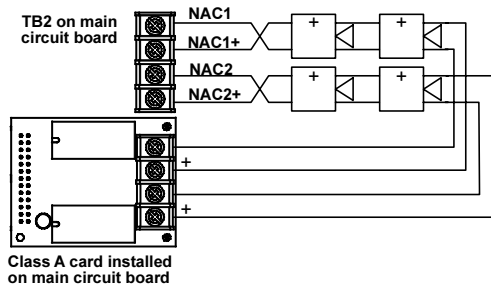
configuration, history, and current status to a PC running the FSA-CU.

The SA-DACT queues messages and transmits them based on priority (alarm, supervisory, trouble, and monitor). Activations are transmitted before restorations.

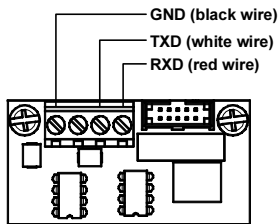
The SA-DACT is installed on the plastic assembly and connects to the main circuit board via a ribbon cable.

Technical Information

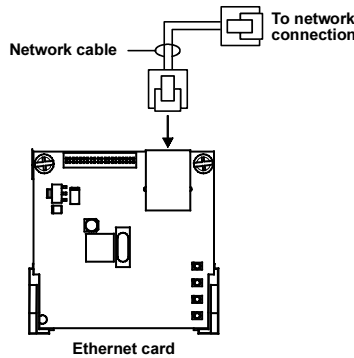
SA-CLA Wiring



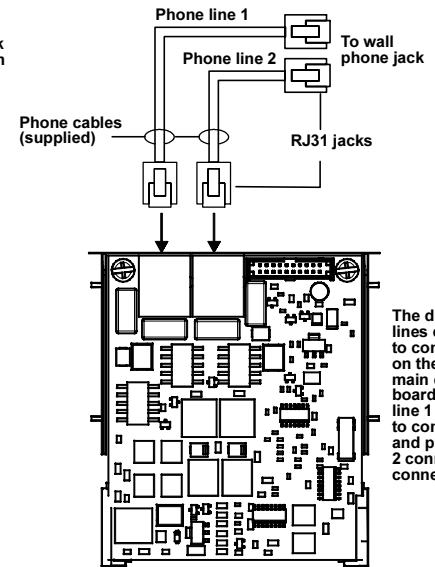
SA-232 Wiring



SA-ETH Wiring



SA-DACT Wiring



The dialer phone lines connect to connectors on the dialer's main circuit board. Phone line 1 connects to connector J4 and phone line 2 connects to connector J1.

Ordering Information

Description	Cat. No.	NAC Circuits	Maximum NAC Current	Aux Power Continuous Circuit	Aux Power Resettable Circuit	Includes Dialer	Auxiliary Contacts	Color
Life Safety System Panel, 64 Point Capacity: 1 loop, Class B, Class A Optional	E-FSA64RD	2 Class B, Class A optional, 2.5 A each	3.75 A total @ 24Vfwr	24V DC nominal at 0.5 A	24V DC nominal at 0.5 A	Yes	24V DC @ 1 A resistive load	Red
	E-FSA64R	2 Class B, Class A optional, 2.5 A each	3.75 A total @ 24Vfwr	24V DC nominal at 0.5 A	24V DC nominal at 0.5 A	No	24V DC @ 1 A resistive load	Red
	E-FSA64GD	2 Class B, Class A optional, 2.5 A each	3.75 A total @ 24Vfwr	24V DC nominal at 0.5 A	24V DC nominal at 0.5 A	Yes	24V DC @ 1 A resistive load	Gray
	E-FSA64G	2 Class B, Class A optional, 2.5 A each	3.75 A total @ 24Vfwr	24V DC nominal at 0.5 A	24V DC nominal at 0.5 A	No	24V DC @ 1 A resistive load	Gray

Addressable Fire Alarms Panels

E-FSA Series

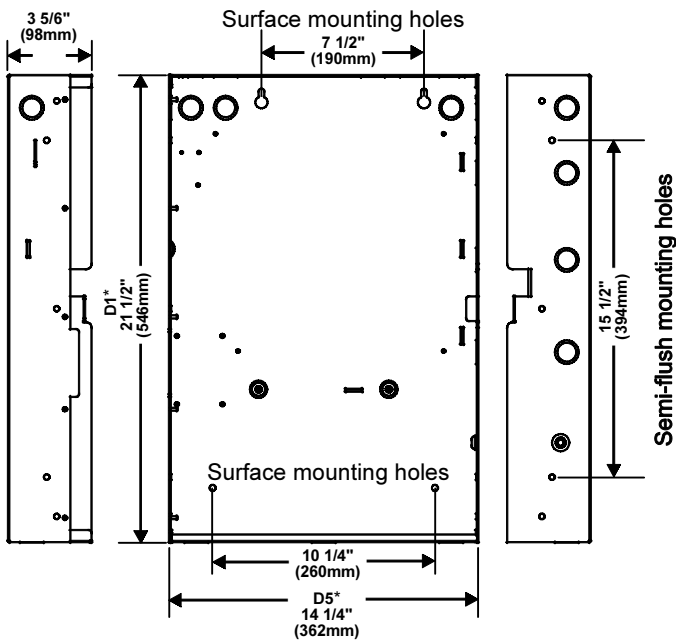
Accessories	
Description	Cat. No.
Flush Mount Trim - Black	SA-TRIM1
Option Cards:	
Dual Line Dialer/Modem, supports Contact ID (SIA DC-05), mounts in cabinet on base plate.	SA-DACT
Serial Port (RS-232), for connection to printers & computers, mounts in cabinet to base plate	SA-232
Ethernet Port, Slave, mounts in cabinet on base plate	SA-ETH
Class A adapter module. Provides Class A capacity on NACs. Mounts in cabinet on main board.	SA-CLA
Annunciators:	
Remote Annunciator, 4X20 LCD and Common Indicators for displaying system status, mounts to standard 4" Square electrical box. White housing.	E-RLCD
Remote Annunciator, 4X20 LCD, Common Indicators & Common Controls for displaying system status, mounts to standard 4" Square electrical box. White housing.	E-RLCD-C
Remote Annunciator, Common Indicators for displaying system status, common controls & 16 groups w/2 LEDs each for zone display, mounts to standard 4" Square electrical box. White housing.	E-RLED-C
Remote Annunciator Zone expander, 24 groups of 2 LEDS each for display of alarm and trouble. Each with custom label area. Mounts to standard 4" electrical box. White housing.	RLED24
Graphic Annunciator Driver, provides outputs for common indicators and 32 alarm/supv zones as well as inputs for common switches. Provided with a snap track for mounting in custom graphic enclosures.	GCI

Accessories		(Continued)
Description		Cat. No.
Remote Annunciator Cabinets and Accessories		
Remote Annunciator Enclosure, key locked with plexiglass window for one RLCD(C) or RLED(C).		RA-ENC1
Remote Annunciator Enclosure, key locked with plexiglass window with space for 2 of either RLCDx, RLEDx or RLED24.		RA-ENC2
Remote Annunciator Enclosure, key locked with plexiglass window with space for 3 of either RLCDx, RLEDx or RLED25.		RA-ENC3
Keypad, single gang, provides key operated enable or disable of common controls on RLCD or RLED units.		RKEY
Surface Mount Box - for R-Series Annunciators.		LSRA-SB
Programming Tools:FSC/FSA Series configuration and diagnostics utility		FSA-CU

Addressable Fire Alarms Panels E-FSA Series

Weights and Dimensions

Cat. No.	Approx. Shipping Weight (lb.)
E-FSA64RD	28.00
E-FSA64R	28.00
E-FSA64GD	28.00
E-FSA64G	28.00
SA-TRIM	2.00
SA-DACT	0.50
SA-232	0.25
SA-ETH	0.25
SA-CLA	0.25



* Add 1-1/2 in. (38.1mm) for trim kit.