

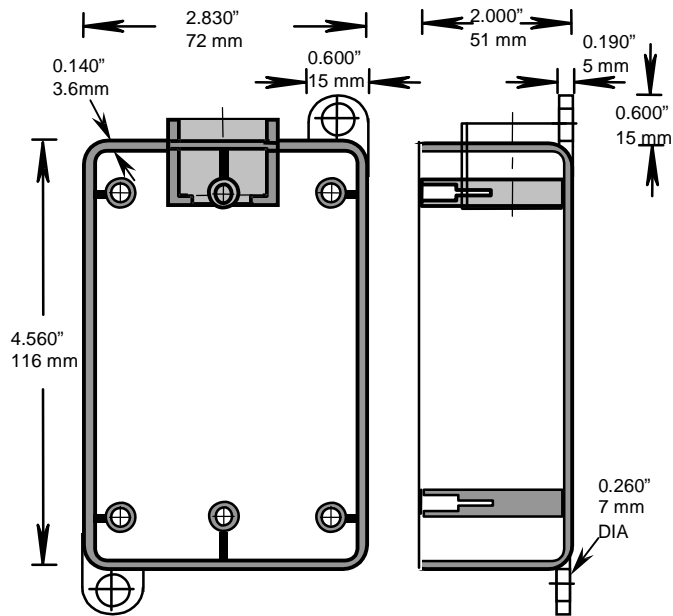
**RIGID PVC CONDUIT FITTINGS - KRALOY**

**ISSUE DATE:**  
**DATE D'EMISSION:** 2004 01 15

**FSE SINGLE GANG BOXES**

**SUPERCEDES:**  
**REPLACE:** 2003 11 15

4



PRODUCT CODE	PART NUMBER	VOLUME	
		( cubic in )	( cubic mm )
078229	FSE05	17.4	285.1
078230	FSE07	17.4	285.1
178062	FSE05	17.4	285.1
178063	FSE07	17.4	285.1



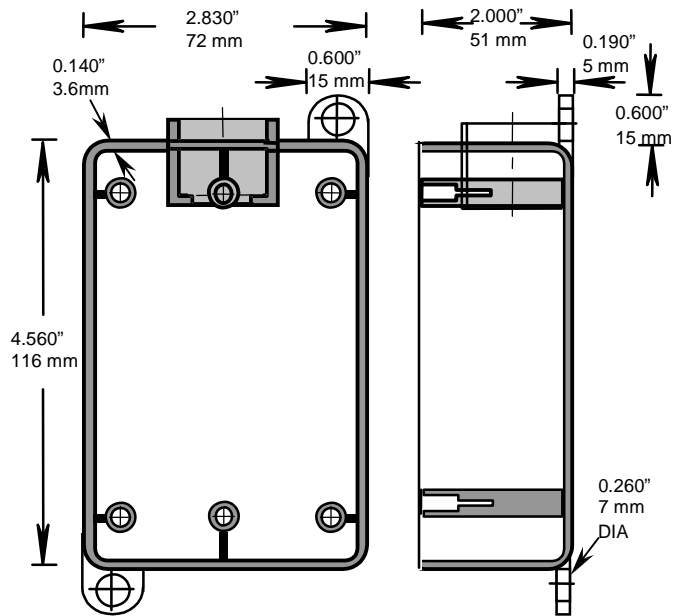
**RIGID PVC CONDUIT FITTINGS - KRALOY**

**ISSUE DATE:**  
**DATE D'EMISSION:** 2004 01 15

**FSE SINGLE GANG BOXES**

**SUPERCEDES:**  
**REPLACE:** 2003 11 15

4



PRODUCT CODE	PART NUMBER	VOLUME	
		( cubic in)	(cubic mm)
078229	FSE05	17.4	285.1
078230	FSE07	17.4	285.1
178062	FSE05	17.4	285.1
178063	FSE07	17.4	285.1

