



FireShield™ Fire Alarm Control System

Conventional 1, 3, 5 & 10 Zones

E-FS Series

FEATURES

- > 1, 3, 5 or 10 Class B initiating device circuits (IDC)
- > 2 or 4 Class B Notification Appliance Circuits
- > IDC or NAC pairs convertible to single Class A circuits (10 and 5 IDC panels only)
- > Supports 2400, ED2M and SC series detectors
- > Zone programmable NACs selectable for Genesis, continuous or temporal output
- > Genesis option provides strobe sync and audible silence over two wires
- > 1 zone: 1.0 amp; 3 zone: 1.5 amps; 5 & 10 zone: 2.5 amps NAC circuit; 1/2 amp aux current
- > Expander transformer adds 2.5 amps to 10 zone panel
- > Relays for alarm and trouble conditions. Supervisory relay in 3, 5 and 10 zone panels
- > Many options available

The Edwards FireShield fire alarm family consists of 1, 3, 5 and 10 zone conventional fire alarm control panels, and integrated DACT/Dialer (3.5 and 10 zone only), serial annunciator modules, and serial remote relay modules. All of these components are microprocessor-controlled. The FireShield family is ideal for both new and retrofit installations alike.

Edwards FireShield incorporates features designed to simplify installation, operation and maintenance. These include front panel programming, one person walk testing, and selectable IDC and NAC types. In addition, these panels have combination waterflow and supervision IDC. Options for the FireShield panels include serial bus relay modules programmable for common or zone activation, serial bus remote annunciators, city tie and reverse polarity modules, and optional trim rings for semi-flush mounting. An optional fully integrated DACT/Dialer provides 32 character LCD display, event history log, support for Contact ID and SIA DCS 4/2, and upload/download of Panel/DACT configuration, status and event history.

FireShield panels are powerful enough to meet the demands of today's installations while leaving plenty of room to grow in the future. All available current may be used for notification appliances, or up to 0.5 amps can be used as auxiliary current. Optional modules and remote indicators mount in boxes with snap-trak or are gangable behind "Decora" switch plates. Batteries not included.

IMPORTANT

Certain jurisdictions require that Fire Alarm Systems, or components used therein, be installed, tested, certified, serviced, or repaired by licensed personnel. Prior to Fire Alarm installation it is strongly recommended you contact the local Fire Marshal with jurisdictional responsibility to determine all applicable code requirements.

AGENCY APPROVALS

- > UL Listed

D-04

12-2

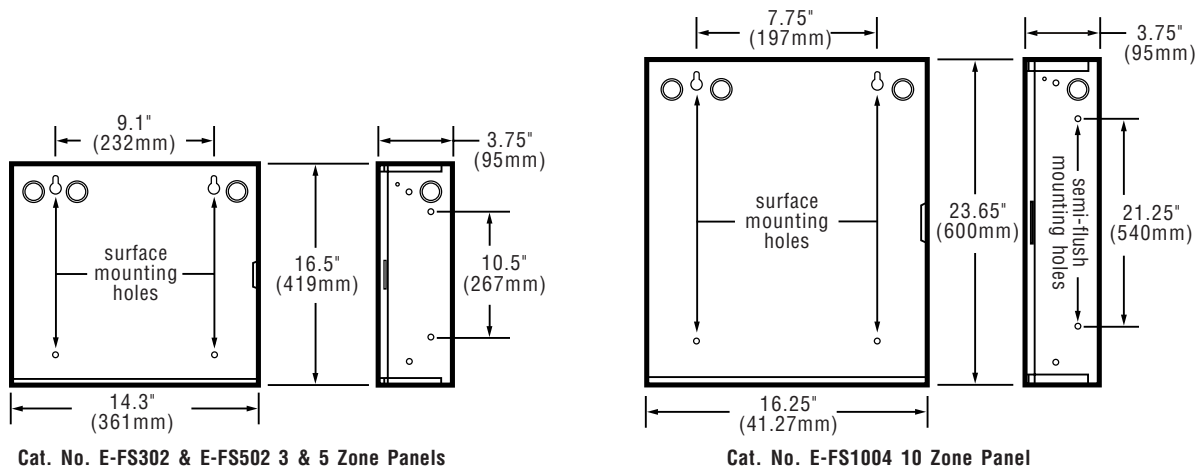
90 Fieldstone Court | Cheshire, CT 06410
 Ph: 203.699.3300 | Fx: 203.699.3108
www.edwards-signals.com



© Copyright 2004 Edwards



TECHNICAL INFORMATION



ORDERING INFORMATION

| Cat. No. | Function |
|-----------|--|
| E-FS101# | 1 Zone Conventional Fire Alarm Control Panel - 1 Class B IDC and 1 Class B NAC, 120V AC |
| E-FS302# | 3 Zone Conventional Fire Alarm Control Panel - 3 Class B IDC's and 2 Class B NACs, 120V AC |
| E-FS502# | 5 Zone Conventional Fire Alarm Control Panel - 5 Class B IDC's and 2 Class B NACs, 120V AC |
| E-FS1004# | 10 Zone Conventional Fire Alarm Control Panel - 10 Class B IDC's and 4 Class B NACs, 120V AC |

*Add "G" for gray cabinet or "R" for red cabinet. Add "D" for installed dialer (3, 5 and 10 zone panels only). e.g. E-FS302RD is a red FireShield panel with installed dialer.

ACCESSORIES

| Cat. No. | Name | Function |
|------------|-------------------------|---|
| BC-2 | Battery Cabinet | Gray battery box - holds two batteries |
| BC-2R | Battery Cabinet | Red battery box - holds two batteries |
| CTM4.7 | City Tie Module | Reporting events to local energy Master fire alarm box (see page 7) |
| EOL36-11 | End-of-line Resistor | One 3.6K resistor and one 1.1K resistor |
| FSAT** | Trim Plate | One, two, three or four gang white trim plate for Remote Annunciator |
| FSDACT | DACT/Dialer | Reporting events to a remote monitoring facility (see page 4) |
| FSCU | Configuration Software | PC downloading of configuration and event history |
| FSRRM | Relay Module | Five Form C relays rated 1 amp each configurable as zone or common system mode (see page 5) |
| FSRRM-S11 | 11" Mounting track | Mounting track for 2-4 FSRRMs. Mounts in MFC-A or other listed FA enclosure |
| FSRSI*** | Remote System Indicator | Remote Annunciator Module - common LEDs & sounder w/silence (see page 6) |
| FSRZI-A*** | Remote Zone Indicator | Remote Annunciator Module - 5 Zone LEDs (see page 6) |
| FSTRIM35* | 3 & 5 Zone Trim Ring | Semi-flush mounting of 3 & 5 zone panels |
| FSTRIM10* | 10 Zone Trim Ring | Semi-flush mounting of 10 zone panels |
| MFC-A | FSRRM Mounting Cabinet | Holds up to 4 FSRRM modules when used with optional FSRRM-S11 snap-trak (see page 5) |
| RPM | Reverse Polarity module | Reporting alarm status to remote monitoring facility (see page 7) |
| XTR3A120 | Power Supply Expander | Expands 10 zone panel with 2.5 amps additional power |

*Add "G" for gray or "R" for red; **add "1" for one gang, "2" for two gang, "3" for three gang, or "4" for four gang plate; ***Not compatible with 1 zone panel



FireShield™ Fire Alarm Control System

Conventional 1, 3, 5 & 10 Zones

E-FS Series

FEATURES

- > 1, 3, 5 or 10 Class B initiating device circuits (IDC)
- > 2 or 4 Class B Notification Appliance Circuits
- > IDC or NAC pairs convertible to single Class A circuits (10 and 5 IDC panels only)
- > Supports 2400, ED2M and SC series detectors
- > Zone programmable NACs selectable for Genesis, continuous or temporal output
- > Genesis option provides strobe sync and audible silence over two wires
- > 1 zone: 1.0 amp; 3 zone: 1.5 amps; 5 & 10 zone: 2.5 amps NAC circuit; 1/2 amp aux current
- > Expander transformer adds 2.5 amps to 10 zone panel
- > Relays for alarm and trouble conditions. Supervisory relay in 3, 5 and 10 zone panels
- > Many options available

The Edwards FireShield fire alarm family consists of 1, 3, 5 and 10 zone conventional fire alarm control panels, and integrated DACT/Dialer (3.5 and 10 zone only), serial annunciator modules, and serial remote relay modules. All of these components are microprocessor-controlled. The FireShield family is ideal for both new and retrofit installations alike.

Edwards FireShield incorporates features designed to simplify installation, operation and maintenance. These include front panel programming, one person walk testing, and selectable IDC and NAC types. In addition, these panels have combination waterflow and supervision IDC. Options for the FireShield panels include serial bus relay modules programmable for common or zone activation, serial bus remote annunciators, city tie and reverse polarity modules, and optional trim rings for semi-flush mounting. An optional fully integrated DACT/Dialer provides 32 character LCD display, event history log, support for Contact ID and SIA DCS 4/2, and upload/download of Panel/DACT configuration, status and event history.

FireShield panels are powerful enough to meet the demands of today's installations while leaving plenty of room to grow in the future. All available current may be used for notification appliances, or up to 0.5 amps can be used as auxiliary current. Optional modules and remote indicators mount in boxes with snap-trak or are gangable behind "Decora" switch plates. Batteries not included.

IMPORTANT

Certain jurisdictions require that Fire Alarm Systems, or components used therein, be installed, tested, certified, serviced, or repaired by licensed personnel. Prior to Fire Alarm installation it is strongly recommended you contact the local Fire Marshal with jurisdictional responsibility to determine all applicable code requirements.

AGENCY APPROVALS

- > UL Listed

D-04

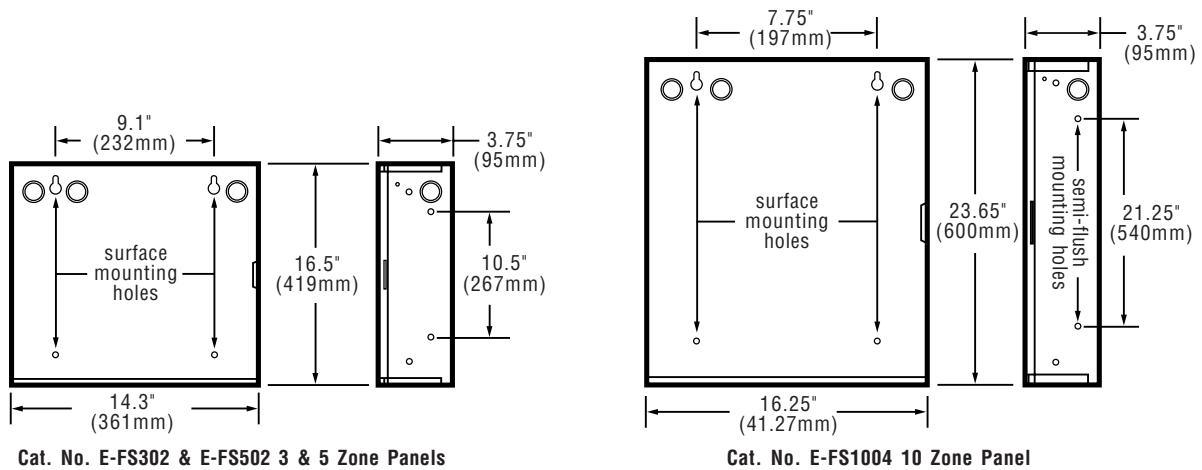
90 Fieldstone Court | Cheshire, CT 06410
 Ph: 203.699.3300 | Fx: 203.699.3108
www.edwards-signals.com



© Copyright 2004 Edwards



TECHNICAL INFORMATION



ORDERING INFORMATION

| Cat. No. | Function |
|-----------|--|
| E-FS101# | 1 Zone Conventional Fire Alarm Control Panel - 1 Class B IDC and 1 Class B NAC, 120V AC |
| E-FS302# | 3 Zone Conventional Fire Alarm Control Panel - 3 Class B IDC's and 2 Class B NACs, 120V AC |
| E-FS502# | 5 Zone Conventional Fire Alarm Control Panel - 5 Class B IDC's and 2 Class B NACs, 120V AC |
| E-FS1004# | 10 Zone Conventional Fire Alarm Control Panel - 10 Class B IDC's and 4 Class B NACs, 120V AC |

*Add "G" for gray cabinet or "R" for red cabinet. Add "D" for installed dialer (3, 5 and 10 zone panels only). e.g. E-FS302RD is a red FireShield panel with installed dialer.

ACCESSORIES

| Cat. No. | Name | Function |
|------------|-------------------------|---|
| BC-2 | Battery Cabinet | Gray battery box - holds two batteries |
| BC-2R | Battery Cabinet | Red battery box - holds two batteries |
| CTM4.7 | City Tie Module | Reporting events to local energy Master fire alarm box (see page 7) |
| EOL36-11 | End-of-line Resistor | One 3.6K resistor and one 1.1K resistor |
| FSAT** | Trim Plate | One, two, three or four gang white trim plate for Remote Annunciator |
| FSDACT | DACT/Dialer | Reporting events to a remote monitoring facility (see page 4) |
| FSCU | Configuration Software | PC downloading of configuration and event history |
| FSRRM | Relay Module | Five Form C relays rated 1 amp each configurable as zone or common system mode (see page 5) |
| FSRRM-S11 | 11" Mounting track | Mounting track for 2-4 FSRRMs. Mounts in MFC-A or other listed FA enclosure |
| FSRSI*** | Remote System Indicator | Remote Annunciator Module - common LEDs & sounder w/silence (see page 6) |
| FSRZI-A*** | Remote Zone Indicator | Remote Annunciator Module - 5 Zone LEDs (see page 6) |
| FSTRIM35* | 3 & 5 Zone Trim Ring | Semi-flush mounting of 3 & 5 zone panels |
| FSTRIM10* | 10 Zone Trim Ring | Semi-flush mounting of 10 zone panels |
| MFC-A | FSRRM Mounting Cabinet | Holds up to 4 FSRRM modules when used with optional FSRRM-S11 snap-trak (see page 5) |
| RPM | Reverse Polarity module | Reporting alarm status to remote monitoring facility (see page 7) |
| XTR3A120 | Power Supply Expander | Expands 10 zone panel with 2.5 amps additional power |

*Add "G" for gray or "R" for red; **add "1" for one gang, "2" for two gang, "3" for three gang, or "4" for four gang plate; ***Not compatible with 1 zone panel