

LED STROBE LIGHT

Model **SLED177**
CAT. **1038510**



SMART STROBE

Separate flash patterns to distinguish between smoke and carbon monoxide.

177 CANDELA LED STROBE

Powerful 177 candela LED strobe light provides effective visual warning to awaken hearing impaired residents.

1Hz FLASH RATE

60 flashes per minute rate meets ANSI 117.1, NFPA 72 and UL STD 1638 requirements for visual signal devices.

STROBE SIGNAL SYNCHRONIZATION

When multiple units installed, strobes flash in unison.

SLIM DESIGN

Attractive low profile design, mounts easily on ceiling or wall.

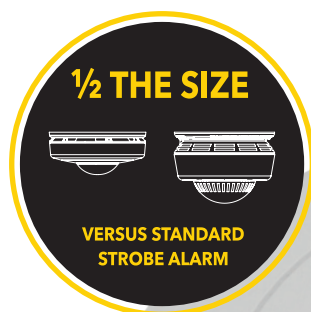
BRK[®]

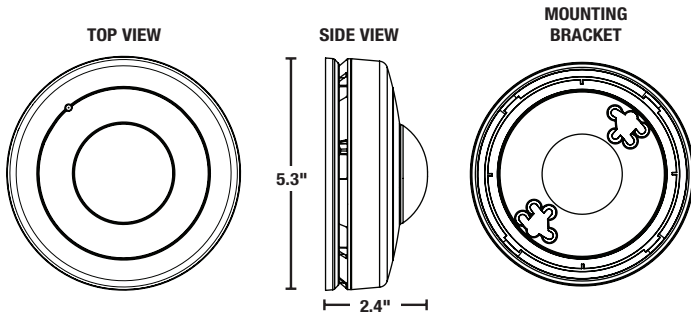
THE PROFESSIONAL STANDARD

120V AC, 60Hz Wire-in

Description:

BRK Model SLED177 (Cat 1038510) is a strobe light specifically designed for residential and institutional applications including sleeping rooms of hospitals, hotels, motels, public housing dormitories, and other multifamily dwellings as defined in standards. BRK Model SL177 is a state of the art Strobe Light designed to provide hearing impaired individuals with a visual warning of a fire or a carbon monoxide danger when used with smoke, heat or carbon monoxide alarms. The Smart Strobe has separate flash patterns to distinguish between smoke/heat and carbon monoxide dangers. These different patterns are to help a deaf & hard of hearing person better distinguish the danger present. The 177 candela LED strobe meets UL 1638 requirements and flashes at a rate of an average of 60 times a minute. The SLED177 operates on 120V AC and features a green LED that signals the unit is receiving power. Interconnectable with up to 18 devices, of which 12 can be smoke alarms. Other Contractor preferred features include a dust cover, easy twist-lock mounting bracket and a "Quick-Connect" wiring harness.





ARCHITECTURAL AND ENGINEERING SPECS

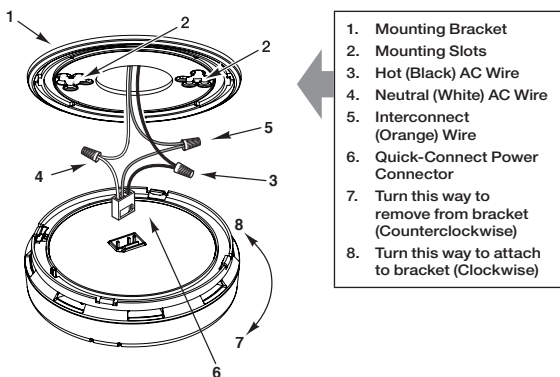
The strobe light shall provide at a minimum the following features and functions:

1. A 177 candela LED strobe with synchronized flash.
2. The strobe light shall be powered by 120V AC.
3. The Smart Strobe shall have separate flash patterns to distinguish between smoke/heat and carbon monoxide dangers.
4. A visual LED (green) power-on indicator to confirm unit is receiving AC power.
5. The unit shall be capable of operating between 40°F (4°C) and 100°F (38°C) and relative humidity between 10% and 90%.
6. The unit shall mount to any standard electrical box up to 4" octagonal without screw removal and shall be listed for ceiling or wall mounting.
7. The unit shall have a plug-in connector and be capable of interconnection of up to 18 multiple station alarms per NFPA 72.
8. The unit shall at a minimum meet the requirements of UL STD 1638, ANSI 117.1, NFPA 72, NFPA 101 and the ICC.

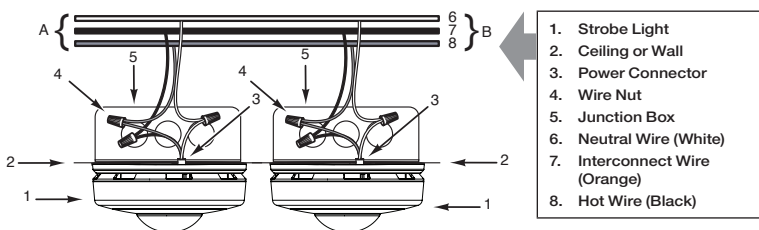
INSTALLATION OF ALARM

Installation of this smoke alarm must conform to all local electrical codes and Article 760 of the National Electrical Code (NFPA 70) and NFPA 72. Interconnected units must meet the following requirements: Total length of wire interconnecting units should be less than 1000 feet, be #18 gauge or larger and be rated at least 300V. It is recommended that all units be on the same fuse or circuit breaker. If local codes do not permit, be sure the neutral wire is common to both phases.

THE PARTS OF THIS ALARM

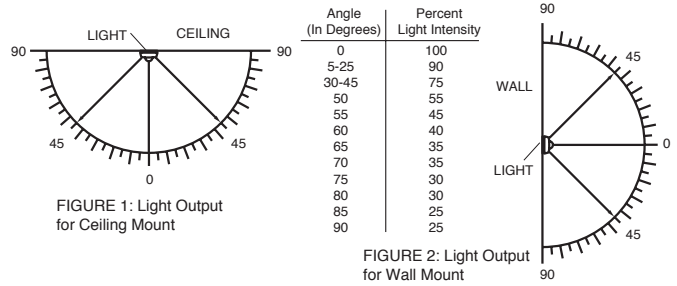


1. Mounting Bracket
2. Mounting Slots
3. Hot (Black) AC Wire
4. Neutral (White) AC Wire
5. Interconnect (Orange) Wire
6. Quick-Connect Power Connector
7. Turn this way to remove from bracket (Counterclockwise)
8. Turn this way to attach to bracket (Clockwise)



- 120VAC 60 Hz source
- To additional units; Maximum = 18 total (Maximum 12 Smoke Alarms)

UL 1638 Signaling Devices Light Dispersion Chart



TECHNICAL SPECS

Alarm Dimensions:	5.3" dia. x 2.4" H
Weight:	8.2 oz
Operating Voltage:	120V AC 60Hz
Operating Current:	Alarm 0.8 A
Temperature Range:	40°F (4°C) to 100°F (38°C)
Humidity Range:	10% to 90% relative humidity (RH)
Visual Alarm:	177 candela LED strobe
Interconnections:	Up to 18 units of First Alert or BRK Smoke, CO and Heat Alarms. Maximum number of 12 smoke alarms. See user's manual for details.
Strobe Light:	177 candela LED strobe
Flash Rate:	1 Hz.
Smoke Alarm:	Constant approx. 1 flash per second.
CO Alarm:	Intermittent approx. 1 flash per second for four flashes, then 5 seconds off. Pattern is repeated.
Indicator Lights/Sounds:	
AC Power:	Constant Green LED
Remote Alarm (Smoke):	Steady flashing strobe and flashing Red LED
Remote Alarm (CO):	If this alarm interconnected to a BRK CO or Combo Alarm, then CO audio alarm, intermittent flashing strobe and Red LED OFF
End of Life:	5 Green LED flashes once per minute
Listing:	Conforms to UL STD 1638

SHIPPING SPECS

Individual Carton Dimensions	5.25" L x 3.0" W x 5.25" H
Weight:	0.51 lbs.
Cube:	0.05 ft ³
UPC:	0 29054 01803 8
Master Carton Dimensions	5.75" L x 19.13" W x 6.0" H
Master Pack:	6
Weight:	3.5 lbs.
Cube:	0.38 ft ³
l2of5:	600 29054 01803 0
Pallet Information	
Cases per Layer:	18
Number of Layers:	7
Cases per Pallet:	126
Units per Pallet:	756
Cube:	54.46 ft ³
Weight:	478 lbs.



© 2021 BRK Brands, Inc. All rights reserved. Distributed by BRK Brands, Inc., Aurora, Illinois 60504. BRK Brands, Inc. is a subsidiary of Newell Brands Inc. (NASDAQ: NWL).