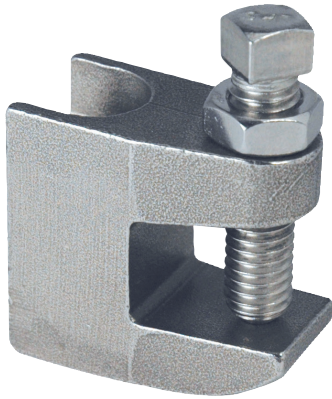
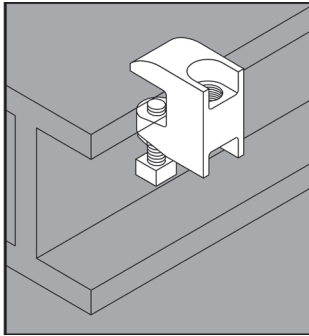


STAINLESS STEEL JUNIOR TOP BEAM CLAMPS



APPLICATION

- Designed primarily as a rod support
- In-line attachment hole provides true, straight fixturing
- Manufactured in stainless steel to help prevent corrosion
- Can be installed using ordinary hand tools and require little maintenance or repair
- Provided in a bright, polished finish that does not require touch up or painting



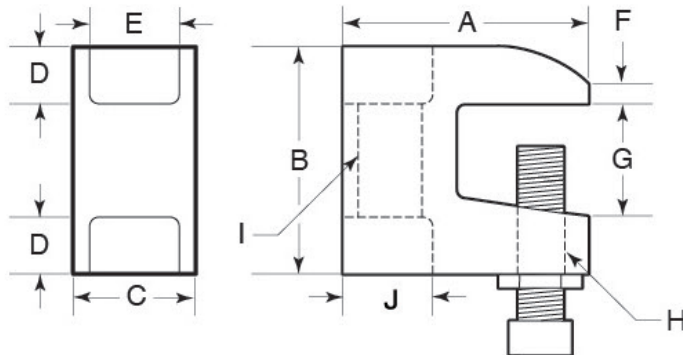
PRODUCT DETAILS

Material:

- Body: CF8M (316 SS)
- Set Screw, Jam Nut: 316 SS

Country of Origin: Product may contain imported component.

Body 100% Made in USA; set screw, jam nut may or may not be of U.S. origin.



Part Number	Size	Load Rating (lbs.)	Weight/100 (lbs.)	Dimension (in.)									
				A	B	C	D	E	F	G	H	I	J
JTB375	3/8 in.	750	33	1.63	1.50	0.80	0.38	0.60	0.12	0.75	3/8 - 16 UNC	3/8 - 16 UNC	0.63
JTB500	1/2 in.	750	32	1.63	1.50	0.80	0.38	0.60	0.12	0.75	3/8 - 16 UNC	1/2 - 13 UNC	0.63

