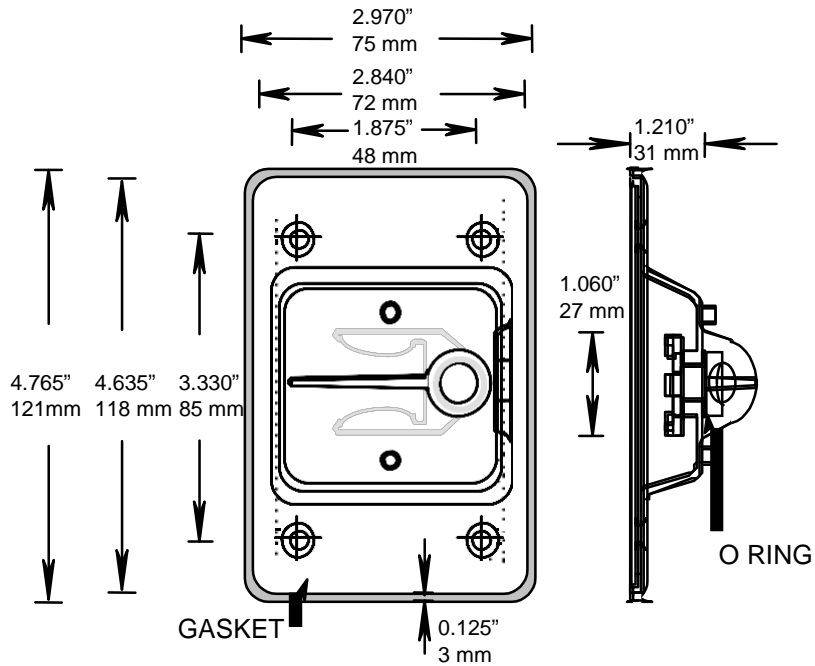


RIGID PVC CONDUIT FITTINGS - KRALOY

ISSUE DATE:
DATE D'EMISSION: 2007 06 30

**VSC15/10 SINGLE GANG TOGGLE SWITCH
 COVERS, 078900, 178141**

SUPERCEDES:
REPLACE: 2004 04 30



PART DESCRIPTION	PART CODE	QUANTITY
SINGLE GANG GASKET	097982	1
6-32x1/2 PAN SLOT SCREW	072520	4
HANDLE FOR VSC15/10	097983	1
3/8" O-RING #12	072281	1

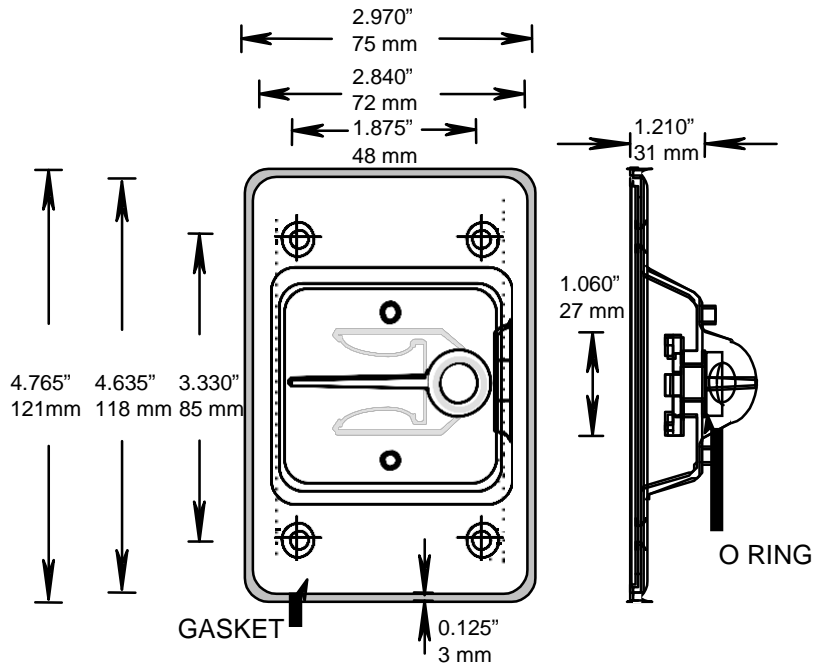
TOGGLE DIMENSIONS: Red Handle (L X W) = 2" X 1" (50.8mm X 25.4mm)
 Raised Portion of Cover (L X W X D) = 4 3/4" X 2" X 1" (120.7mm X 50.8mm X 25.4mm)

RIGID PVC CONDUIT FITTINGS - KRALOY

ISSUE DATE:
DATE D'EMISSION: 2007 06 30

**VSC15/10 SINGLE GANG TOGGLE SWITCH
 COVERS, 078900, 178141**

SUPERCEDES:
REPLACE: 2004 04 30



PART DESCRIPTION	PART CODE	QUANTITY
SINGLE GANG GASKET	097982	1
6-32x1/2 PAN SLOT SCREW	072520	4
HANDLE FOR VSC15/10	097983	1
3/8" O-RING #12	072281	1

TOGGLE DIMENSIONS: Red Handle (L X W) = 2" X 1" (50.8mm X 25.4mm)
 Raised Portion of Cover (L X W X D) = 4 3/4" X 2" X 1" (120.7mm X 50.8mm X 25.4mm)