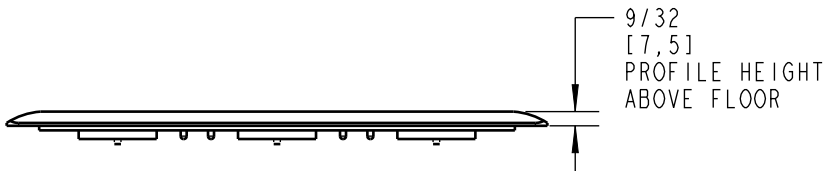
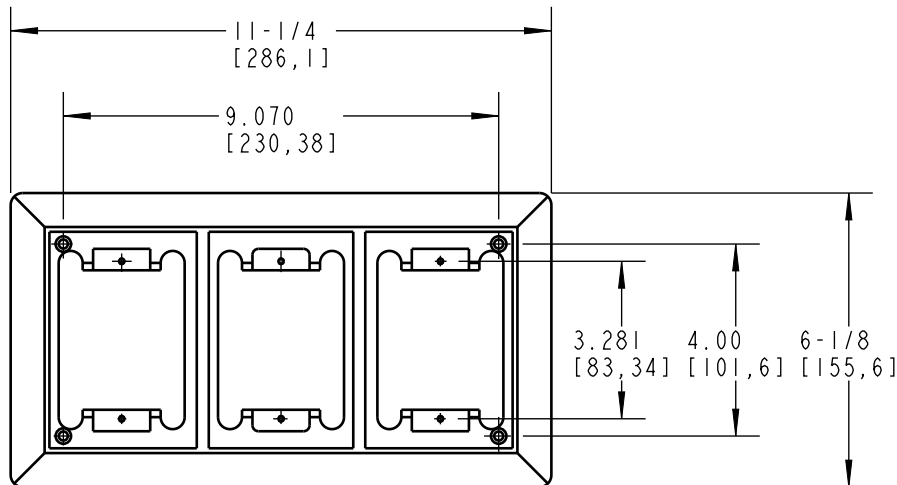
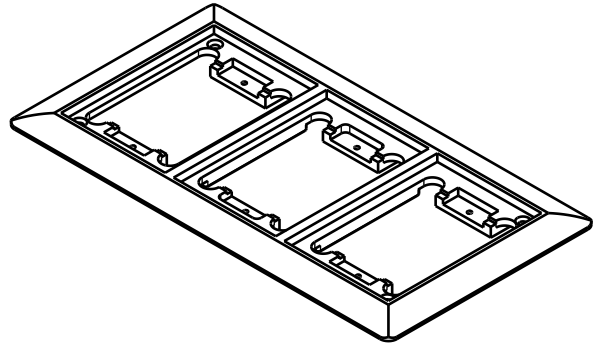


CATALOG NUMBERS:
P 64 3G CP, P 64 3G CP AL



FEATURES:

- FOR USE WITH 61W, 62W, 63W, 640P, 640, 840 AND 740 SERIES FLOOR BOXES
- AVAILABLE IN SOLID BRASS AND ALUMINUM MATERIAL
- FURNISHED WITH SEALING GASKET AND MATCHING 8-32 X 7/16" FLATHEAD SCREWS

CATALOG NUMBERS	MATERIAL	FINISH
P 64 3G CP	SOLID BRASS	BRASS
P 64 3G CP AL	ALUMINUM	ALUMINUM

GENERAL NOTES

- ALL DIMENSIONS ARE FOR REFERENCE ONLY.
- DIMENSIONS IN BRACKETS [] ARE IN METRIC UNITS.

www.tnb.com

Thomas & Betts
A Member of the ABB Group

REVISIONS

A SEE ECN (****)
FOR APPROVAL SIGNATURES
& RELEASE DATE.
PROJECT NO: ****

DESCRIPTION: **P 64 3G CP, P 64 3G CP AL**
THREE GANG CARPET PLATE

ORIGINAL PROJECT NO / ECN NO
003V001056 / ECN000083908

SHEET NO:
1 OF 1

REV. NO:
A

DRAWING NO:
WSD-002616