

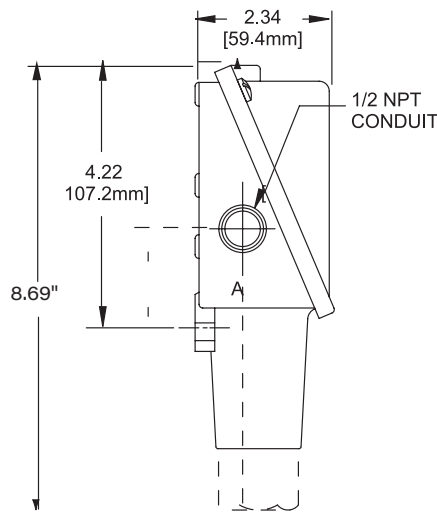
OTS-L and OTS-A

Line and Ambient Sensing Thermostats



FEATURES

- Single Switch Output
- Calibrated Reference Dial
- Epoxy Coated and Gasketed Cast Aluminum Enclosure Type 4X
- Adjustable Range



OTS-L DESCRIPTION

Delta-Therm's OTS-L is a cost-effective NEMA 4X line-sensing thermostat featuring a watertight, dust-tight, and corrosion-resistant die cast enclosure with a slanted cover for wiring accessibility. The thermostat contains a calibrated reference dial. A liquid-filled thermal system, with stainless steel bulb and capillary, ensures a dependable and accurate control system indoors or outdoors.

APPLICATIONS

- Pipe Tracing Systems
- Tank Heating Systems
- Process Heating Systems

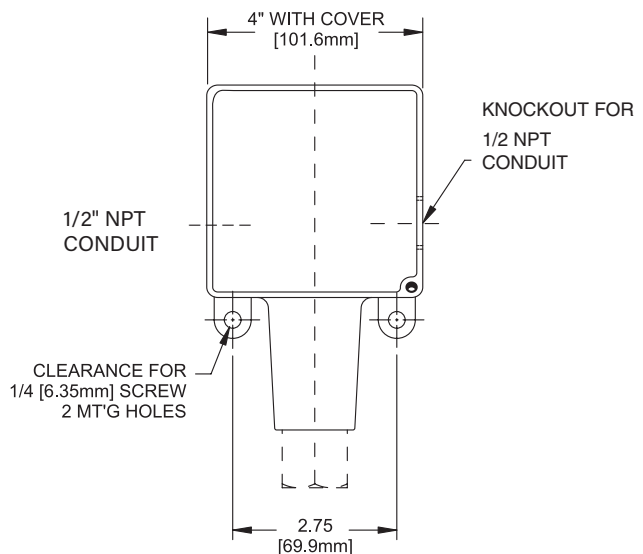
OTS-A DESCRIPTION

Delta-Therm's OTS-A is a NEMA 4X ambient-sensing thermostat featuring a watertight, dust tight, and corrosion resistant die cast enclosure. The thermostat contains a calibrated reference dial. A liquid-filled stainless steel stem ensures a dependable and accurate control system indoors or outdoors.

APPLICATIONS

- Pipe Tracing Systems
- Tank Heating Systems

APPROVALS



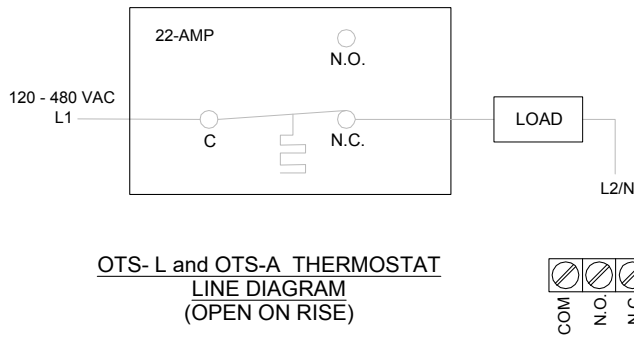
OTS-L and OTS-A Technical Information

OTS-L SPECIFICATIONS

Enclosure:	NEMA 4X. Watertight, dust tight, and corrosion-resistant die cast aluminum, epoxy powder coated, gasketed, captive cover screws.
Connection:	1/2" NPT (female)
Switch:	Single pole, double throw (SPDT) snap action switching element.
Adj. Set Point Range:	25°F to 325°F (-4°C to 163°C)
Max. Temp:	360°F (182°C)
Ambient Range of Enclosure:	-40°F to 160°F (-40°C to 71°C)
Rating:	22 Amps up to 480VAC
Sensor:	10' (3m) SS capillary
Differential:	6°F (approximately) (3.3°C)
Wiring:	Heating - open on temperature rise

OTS-A SPECIFICATIONS

Enclosure:	NEMA 4X. Watertight, dust tight, and corrosion-resistant die cast aluminum, epoxy powder coated, gasketed, captive cover screws.
Connection:	1/2" NPT (female)
Switch:	Single pole, double throw (SPDT) snap action switching element.
Adj. Set Point Range:	15°F to 140°F (-9°C to 60°C)
Max. Temp:	160°F (71°C)
Ambient Range of Enclosure:	-40°F to 160°F (-40°C to 71°C)
Rating:	22 Amps up to 480VAC
Sensor:	Stainless Steel Stem
Differential:	2.5°F (approximately) (1.4°C)
Wiring:	Heating - open on temperature rise



Storage Temperature: -65°F to 160°F (-54°C to 71°C)

Set Point Repeatability: +/- 1% of full scale range

Temperature Deadband: Typically 2% of range under laboratory conditions (70°F ambient circulating bath at rate of 1/2°F per minute change.) Approximately 6°F.

Temperature Assembly: OTS-LH: 10 ft. Stainless Steel Bulb & Capillary, OTS-AH - Stainless Steel stem.