

# Combination Couplings

## Set Screw to Clamp Type - EMT to Flex - Zinc Die Cast

### Features

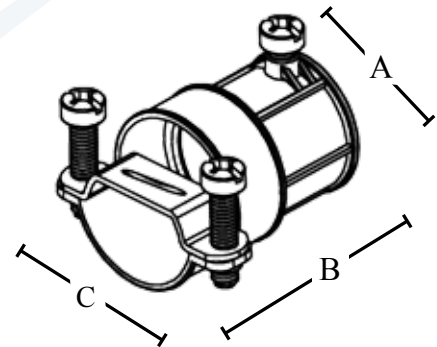
- Tri combo screw
- Set screw to clamp type
- EMT to flex combination coupling
- UL listed

### Applications

- Indoor use only
- Use to join EMT conduit to flexible metal conduit

### Standard Material

- Zinc die cast
- Zinc plated steel strap



Catalog Number	UPC	Size	Unit Carton	Ship Case	Weight/Case	Inches		
						A	B	C
<b>181</b>	11420	<b>1/2"-1/2"</b>	25	250	25	1.13	1.66	1.58
<b>182</b>	11430	<b>3/4"-3/4"</b>	---	100	15	1.34	1.91	1.81
<b>182A</b>	11431	<b>1"-1"</b>	---	50	13	1.58	2.19	2.13